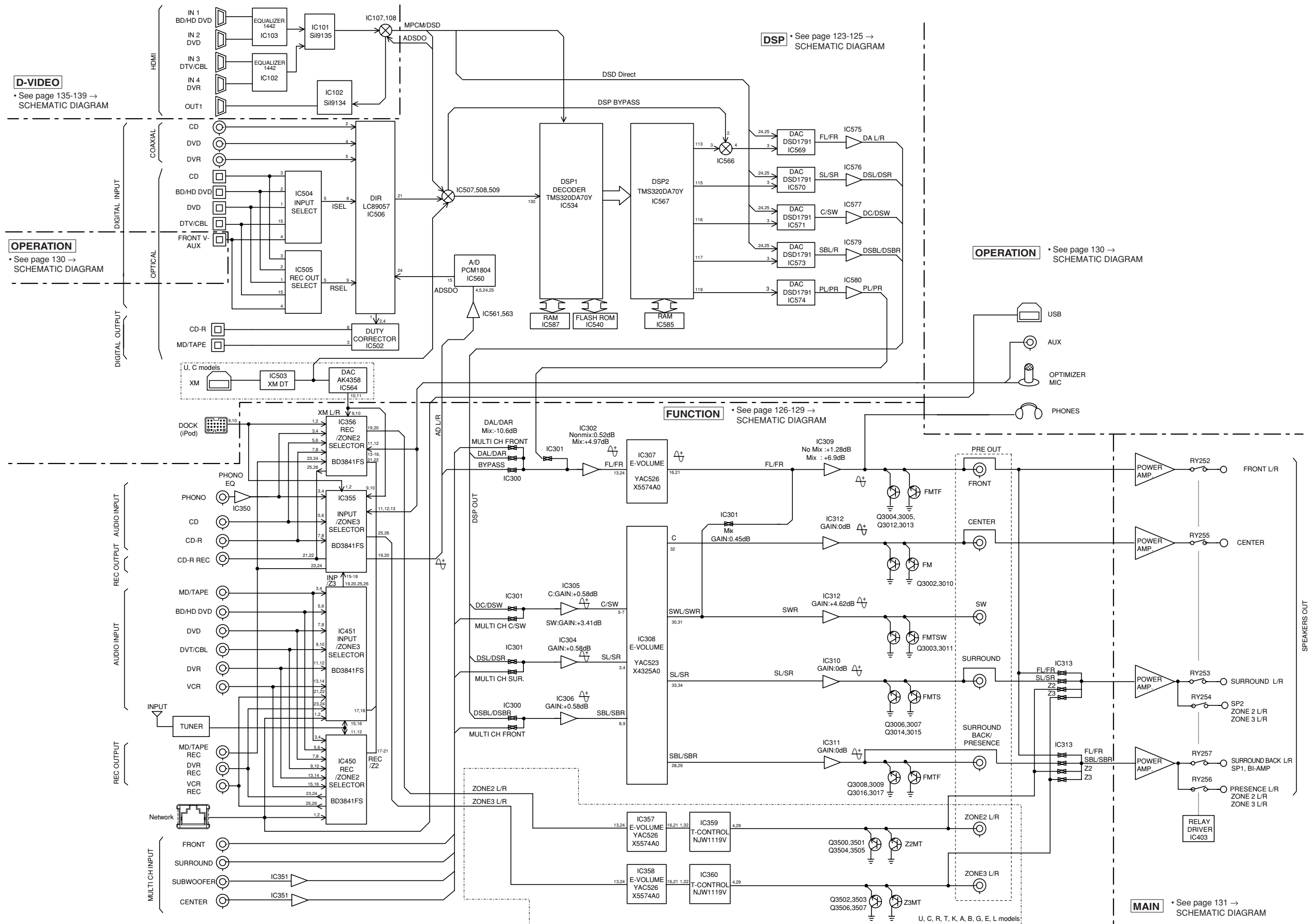


1 ■ BLOCK DIAGRAMS

AUDIO SECTION BLOCK DIAGRAM



D-VIDEO See page 135-139 → SCHEMATIC DIAGRAM

OPERATION See page 130 → SCHEMATIC DIAGRAM

DSP See page 123-125 → SCHEMATIC DIAGRAM

OPERATION See page 130 → SCHEMATIC DIAGRAM

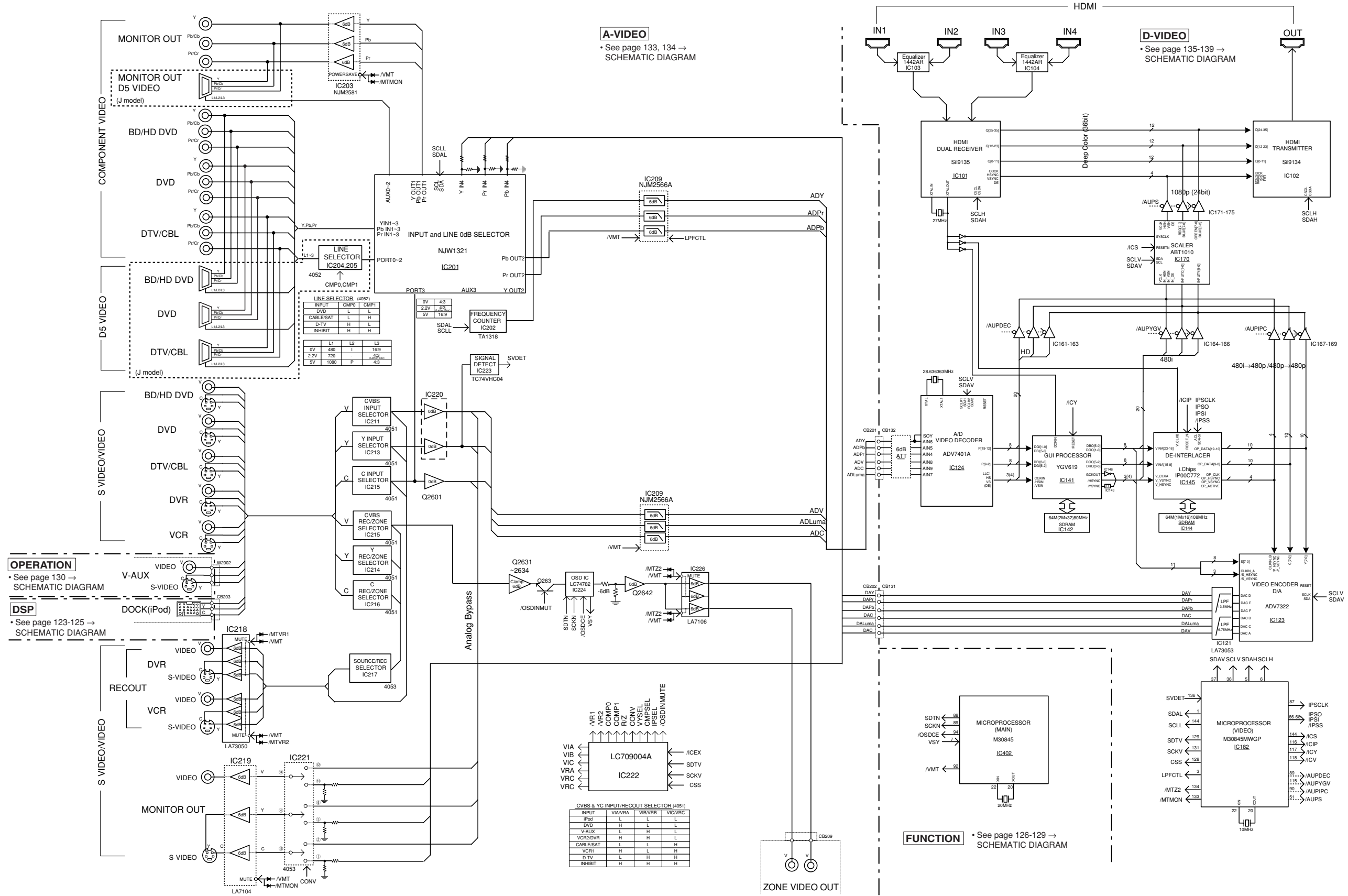
FUNCTION See page 126-129 → SCHEMATIC DIAGRAM

MAIN See page 131 → SCHEMATIC DIAGRAM

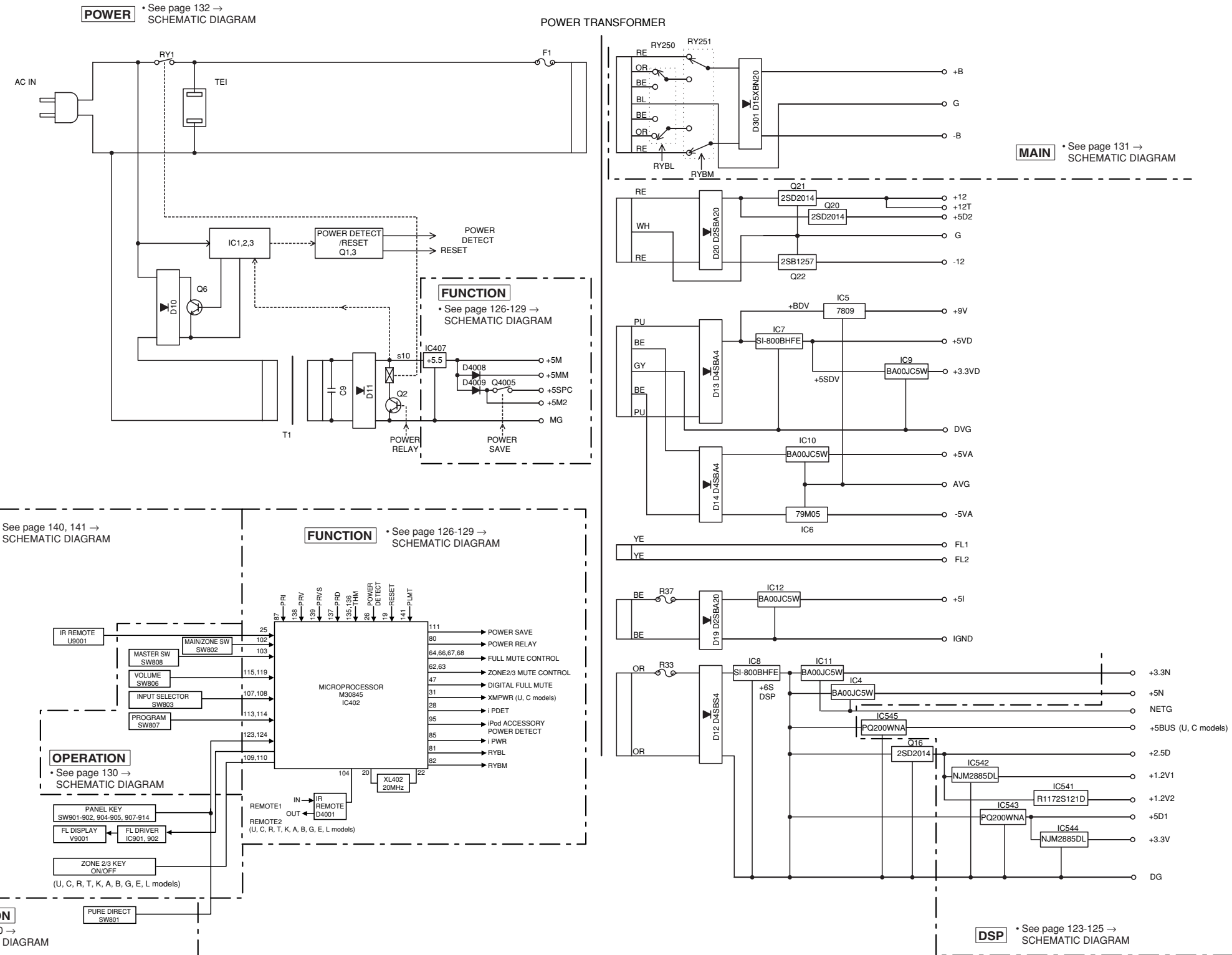
U, C, R, T, K, A, B, G, E, L models

1
2
3
4
5
6
7

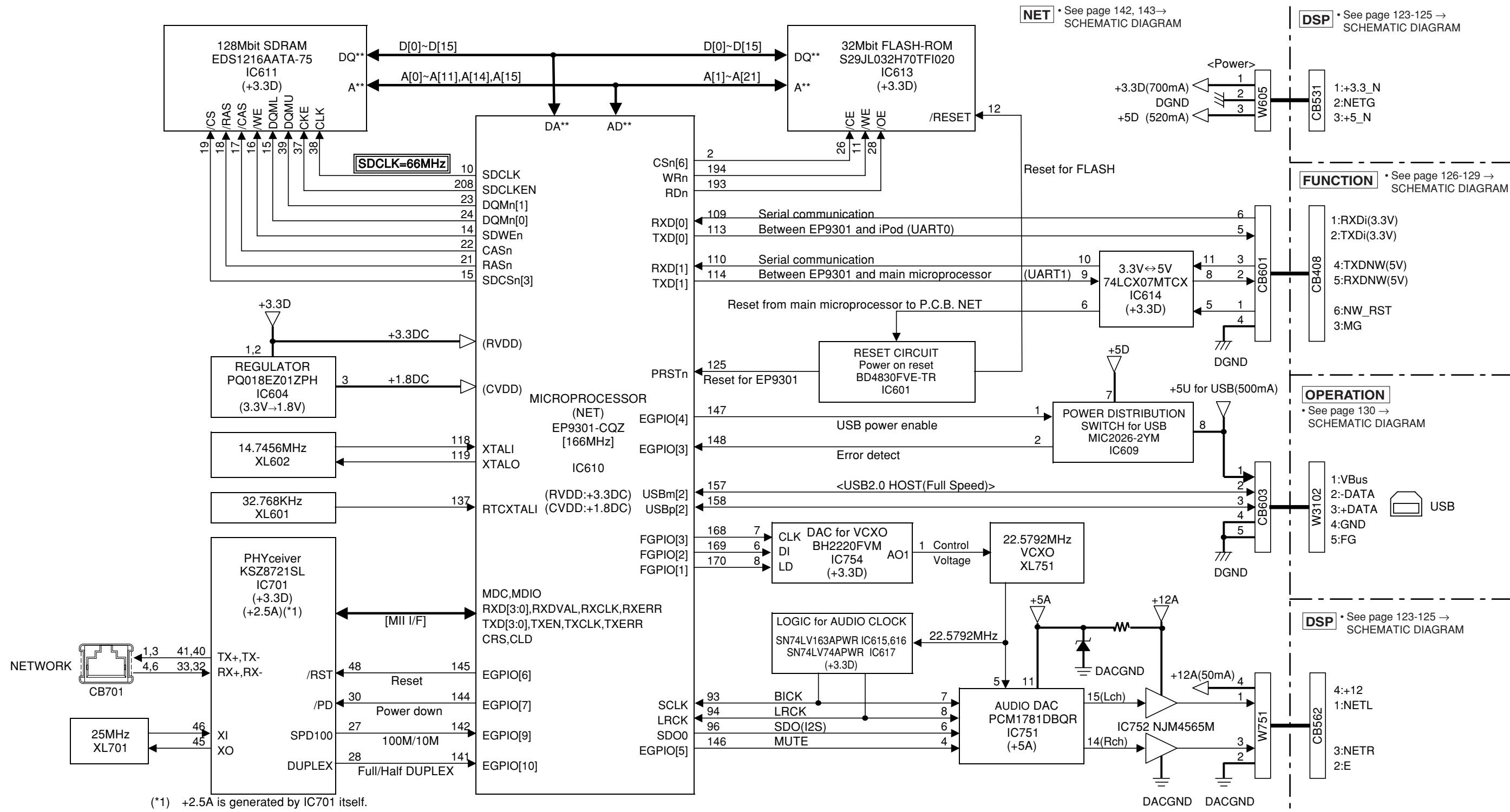
VIDEO SECTION BLOCK DIAGRAM



CONTROL/POWER SECTION BLOCK DIAGRAM



NETWORK SECTION BLOCK DIAGRAM



(*1) +2.5A is generated by IC701 itself.

NET • See page 142, 143 → SCHEMATIC DIAGRAM

DSP • See page 123-125 → SCHEMATIC DIAGRAM

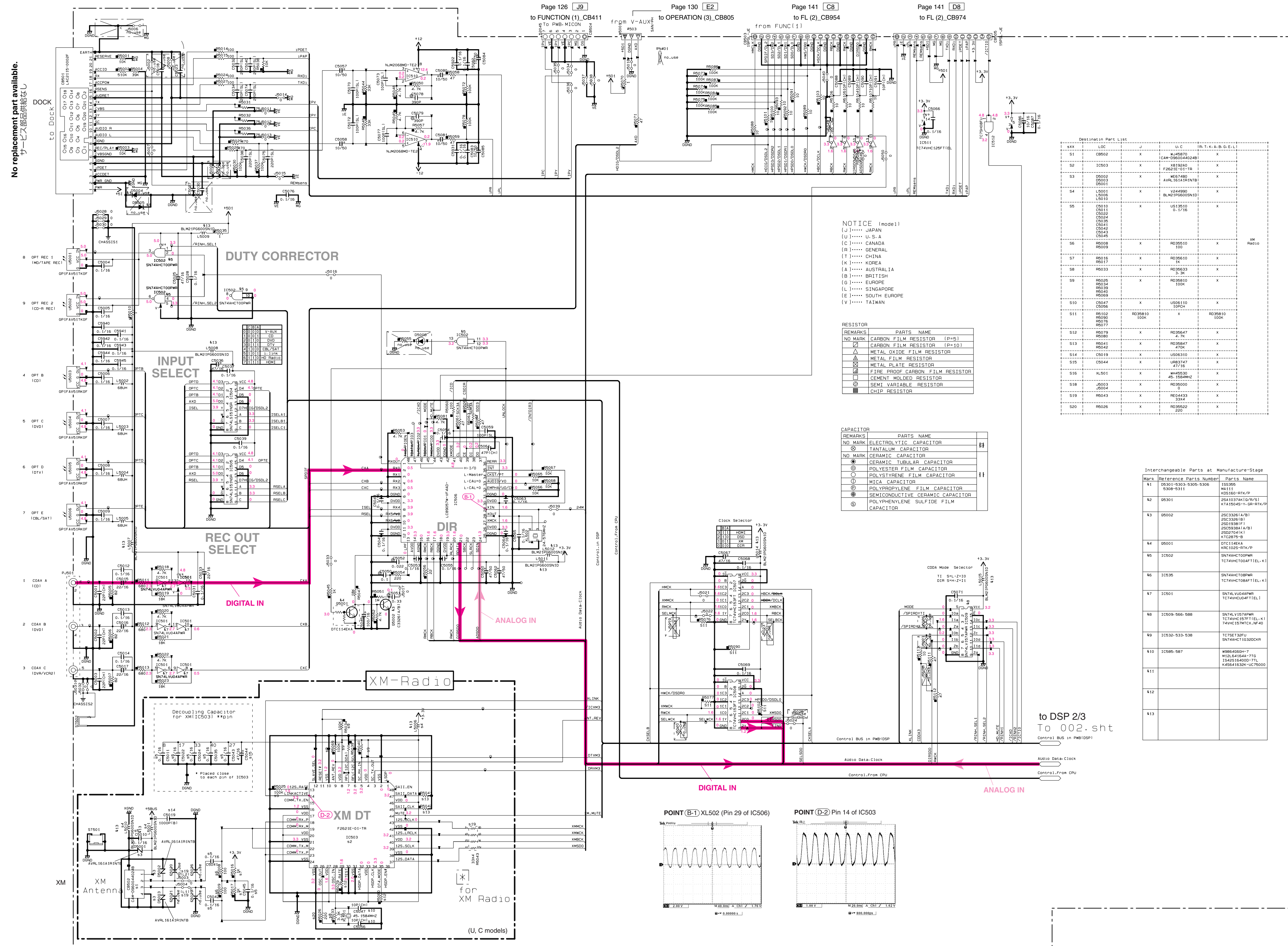
FUNCTION • See page 126-129 → SCHEMATIC DIAGRAM

OPERATION • See page 130 → SCHEMATIC DIAGRAM

DSP • See page 123-125 → SCHEMATIC DIAGRAM

SCHEMATIC DIAGRAMS DSP 1/3

No replacement part available. サーパー部品供給なし



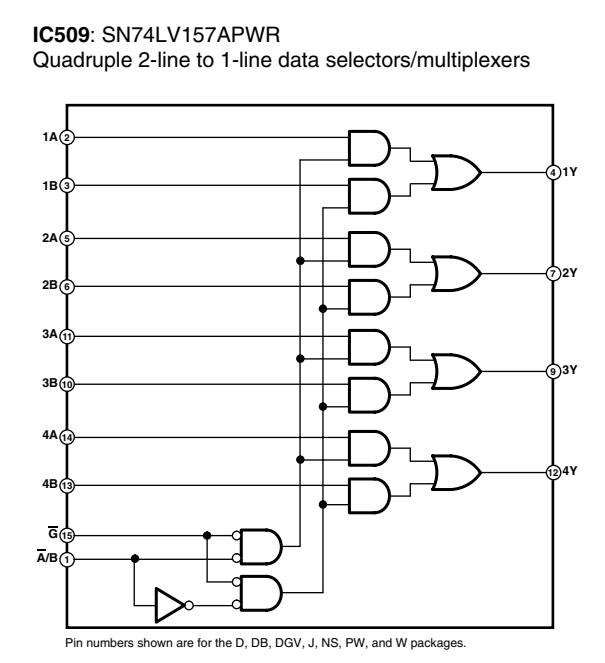
Page 126 [J9] to FUNCTION (1)_CB411
Page 130 [E2] to OPERATION (3)_CB805
Page 141 [C8] to FL (2)_CB954
Page 141 [D8] to FL (2)_CB974

NOTICE (model)
(J)..... JAPAN
(U)..... U.S.A.
(C)..... CANADA
(R)..... GENERAL
(T)..... CHINA
(K)..... KOREA
(A)..... AUSTRALIA
(B)..... BRITISH
(G)..... EUROPE
(L)..... SINGAPORE
(E)..... SOUTH EUROPE
(V)..... TAIWAN

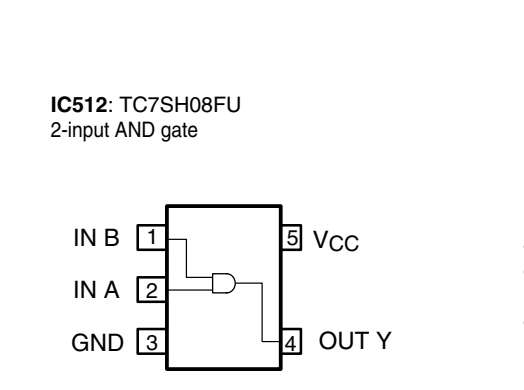
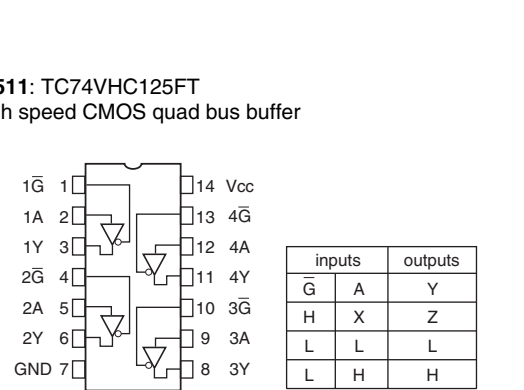
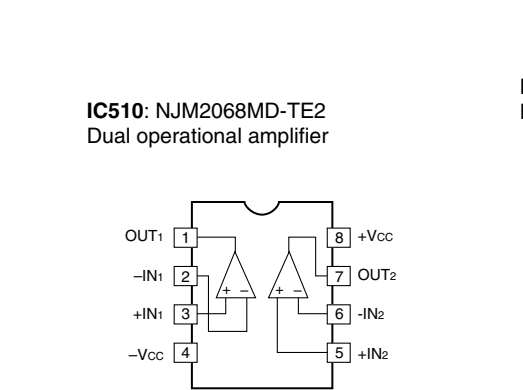
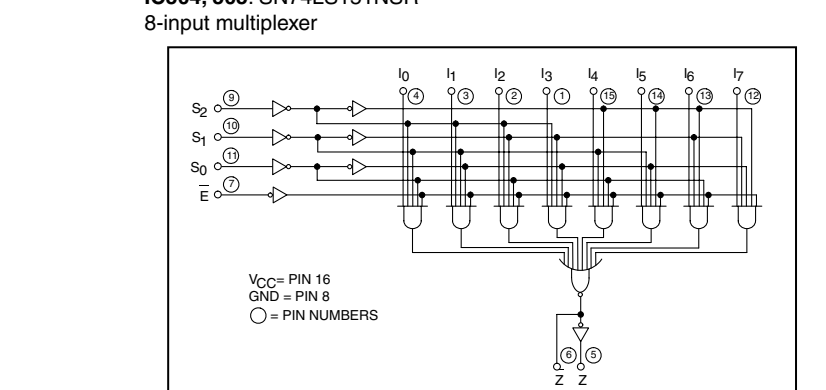
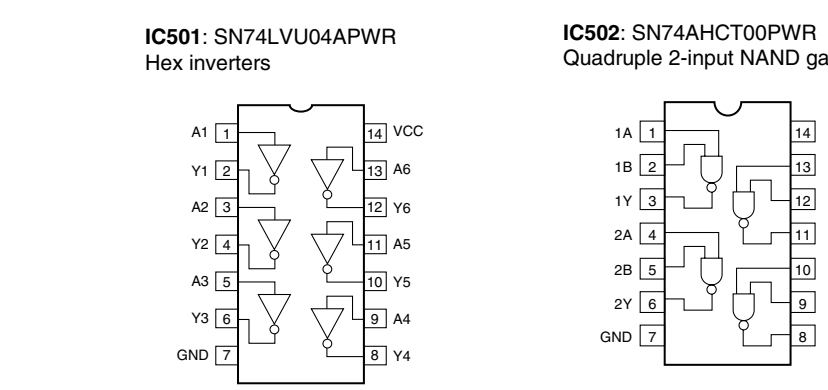
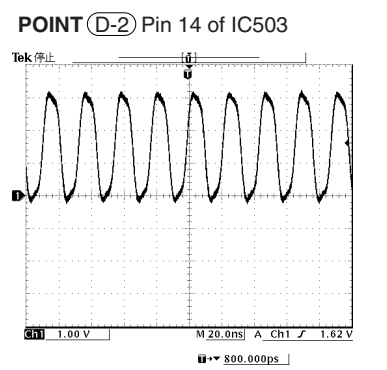
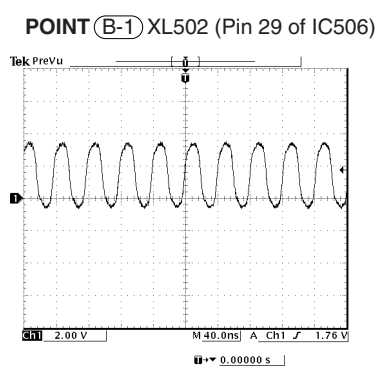
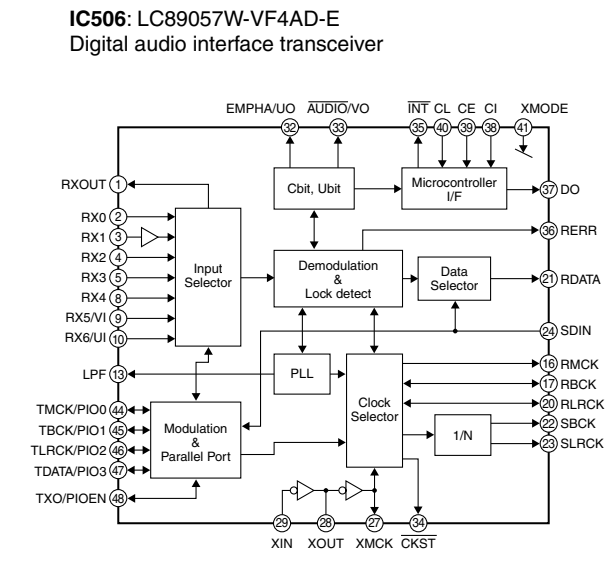
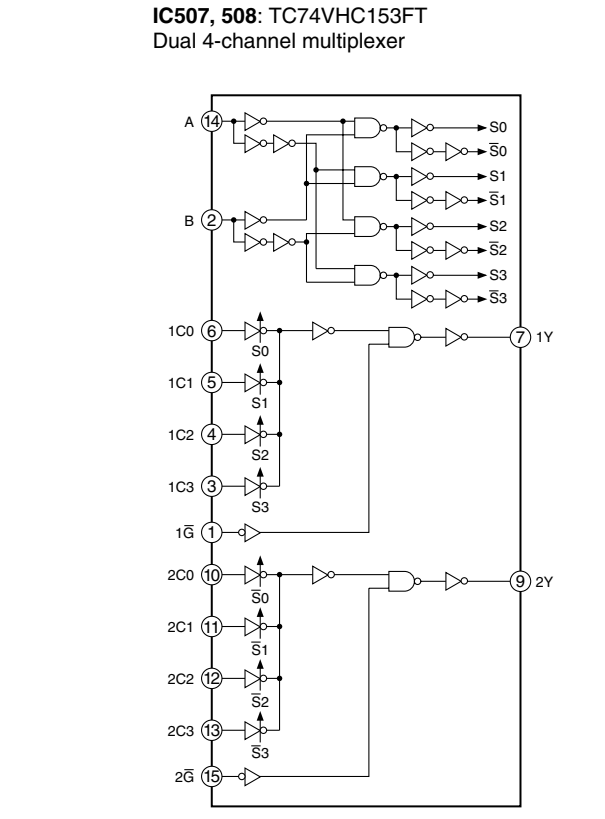
RESISTOR table with columns for REMARKS, PARTS NAME, and a symbol key for different resistor types like CARBON FILM, METAL OXIDE FILM, etc.

CAPACITOR table with columns for REMARKS, PARTS NAME, and a symbol key for different capacitor types like ELECTROLYTIC, TANTALUM, CERAMIC, etc.

Destination Part List table with columns for S/N, LOC, U-C, and other part identification details.



Interchangeable Parts at Manufacture Stage table listing part numbers, reference part numbers, and part names.



All voltages are measured with a 10MΩ/V DC electronic voltmeter. Components having special characteristics are marked with a triangle and must be replaced with parts having specifications equal to those originally installed. Schematic diagram is subject to change without notice. 電圧は、内部抵抗10MΩの電圧計で測定したものです。△印のある部品は、安全性確保部品を示しています。部品の交換が必要な場合、パーツリストに記載されている部品を使用してください。本回路図は標準回路図です。改良のため予告なく変更することがございます。

NOTICE (model) (J)..... JAPAN (U)..... U.S.A (C)..... CANADA (R)..... GENERAL (T)..... CHINA (K)..... KOREA (A)..... AUSTRALIA (B)..... BRITISH (G)..... EUROPE (L)..... SINGAPORE (E)..... SOUTH EUROPE (V)..... TAIWAN

Table with 2 columns: REMARKS, PARTS NAME. Lists capacitor types: ELECTROLYTIC CAPACITOR, TANTALUM CAPACITOR, CERAMIC CAPACITOR, CERAMIC TUBULAR CAPACITOR, POLYESTER FILM CAPACITOR, POLYSTYRENE FILM CAPACITOR, mica CAPACITOR, POLYPROPYLENE FILM CAPACITOR, SEMICONDUCTIVE CERAMIC CAPACITOR, POLYPHENYLENE SULFIDE FILM CAPACITOR.

Table with 2 columns: REMARKS, PARTS NAME. Lists resistor types: CARBON FILM RESISTOR (P+5), CARBON FILM RESISTOR (P-10), METAL OXIDE FILM RESISTOR, METAL FILM RESISTOR, METAL PLATE RESISTOR, FIRE PROOF CARBON FILM RESISTOR, CEMENT MOLDED RESISTOR, SEMI VARIABLE RESISTOR, CHIP RESISTOR.

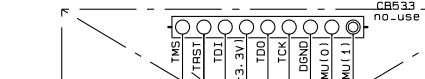
to DSP 1/3 To/From 001.sht

Control BUS in (EM52SP)

Audio Data-Clock

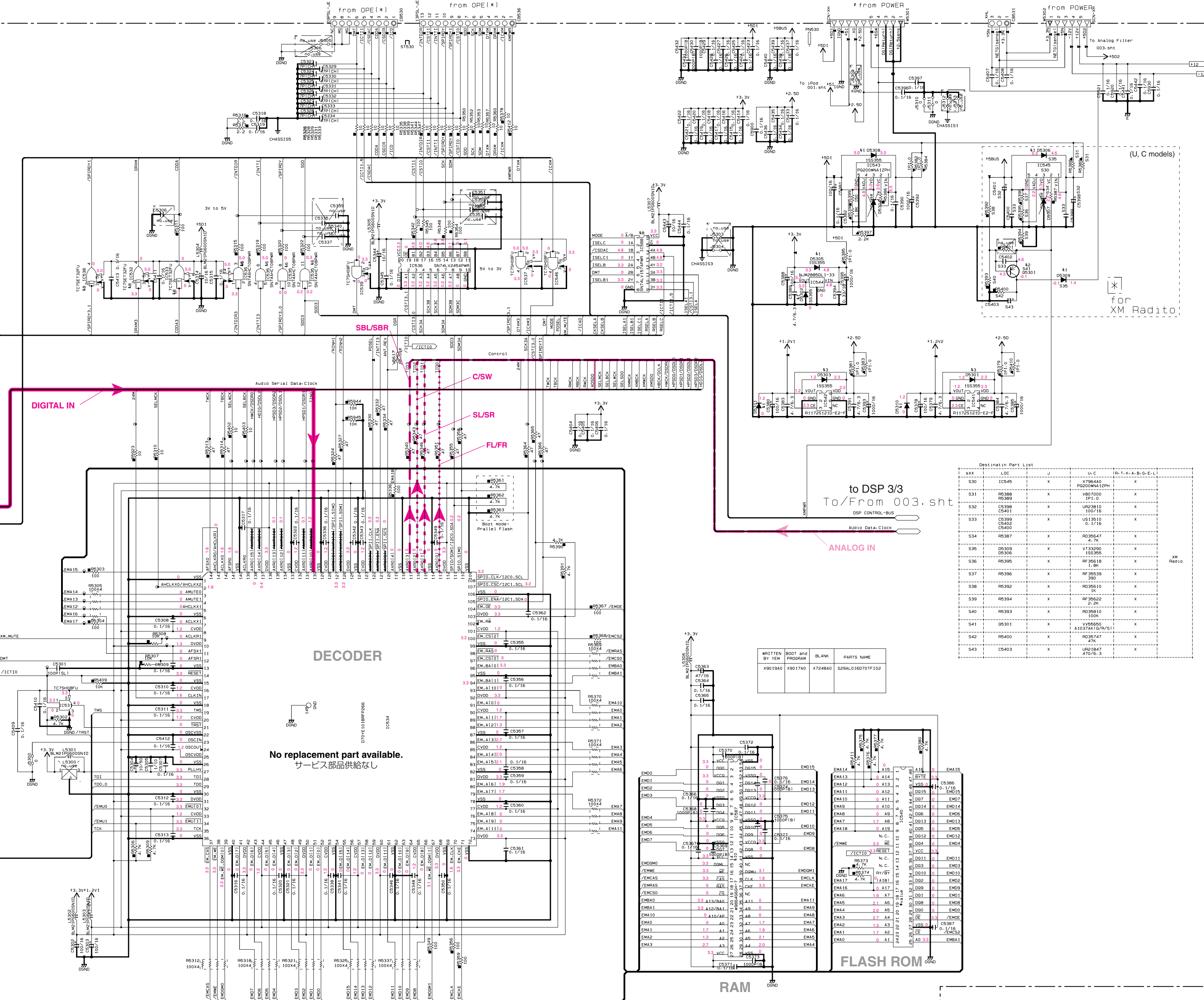
Control From CPU

ANALOG IN



DSP Evaluator BUS

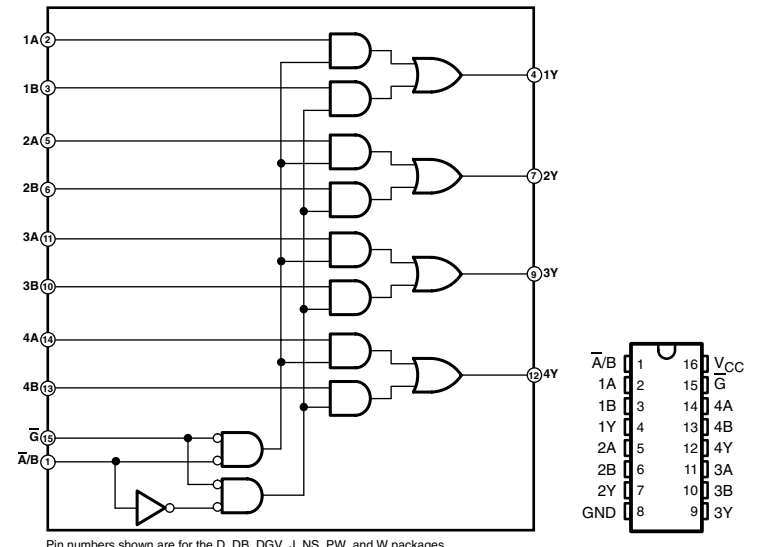
To/From 003.sht to DSP 3/3



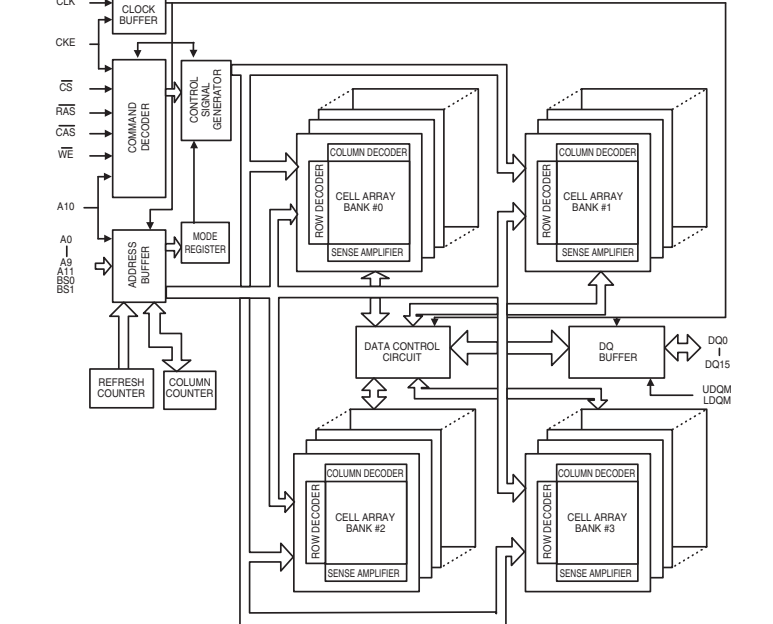
Destination Part List table with columns: Dest, Loc, U, D, C, M, T, K, A, B, D, E. Lists various components like IC531, IC532, IC533, etc.

Table with 4 columns: WRITTEN BY, BOOT AND PROGRAM, BLANK, PARTS NAME. Lists part numbers like X901940, X901740, Y724840, SERIAL160707102.

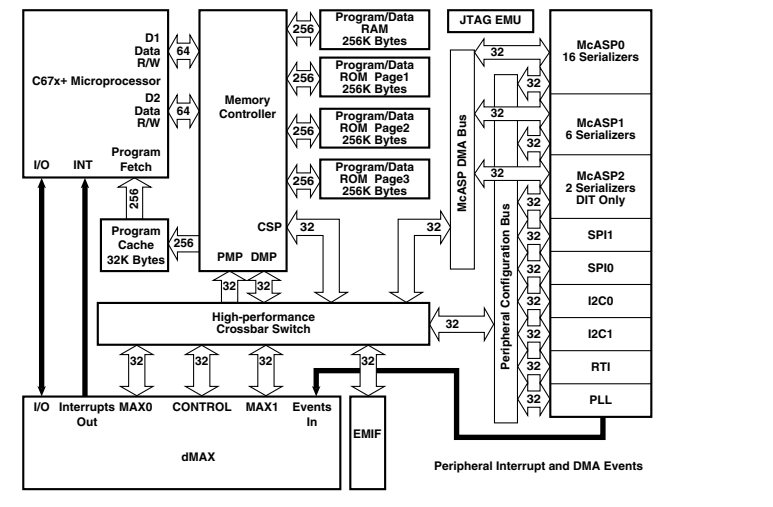
IC588: SN74LV157APWR Quadrule 2-line to 1-line data selectors/multiplexers



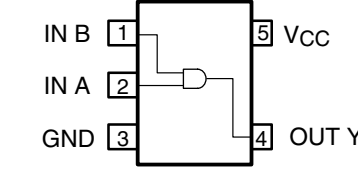
IC587: W9864G6GH-7 64 M x 4 banks SDRAM



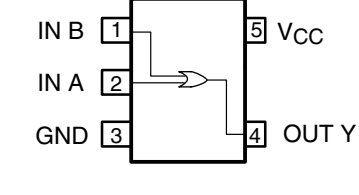
IC534: D70YE101BRFP266 Floating-point digital signal processors



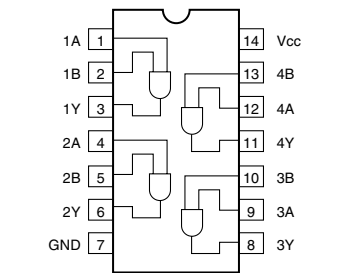
IC531, 537, 539, 546: TC7SH08FU 2-input AND gate



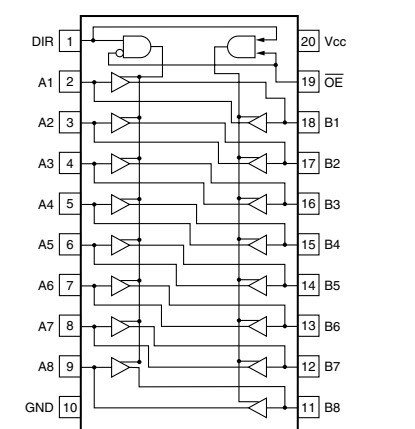
IC532, 533, 538: TC7SET32FU 2-input OR gate



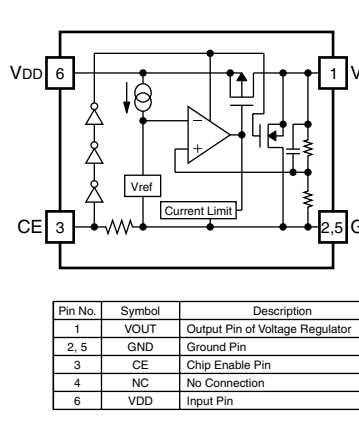
IC535: SN74AHC08PWR Quadrule 2-input positive-AND gates



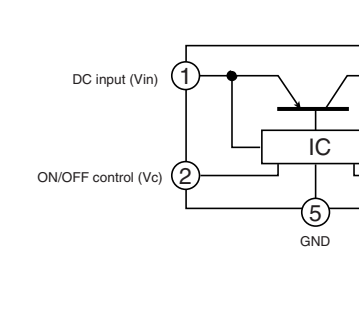
IC536: SN74LV245APWR Octal bus transceiver with 3-state outputs



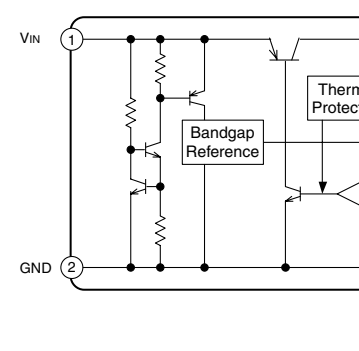
IC541, 542: R1172S121D-E2-F Voltage regulator



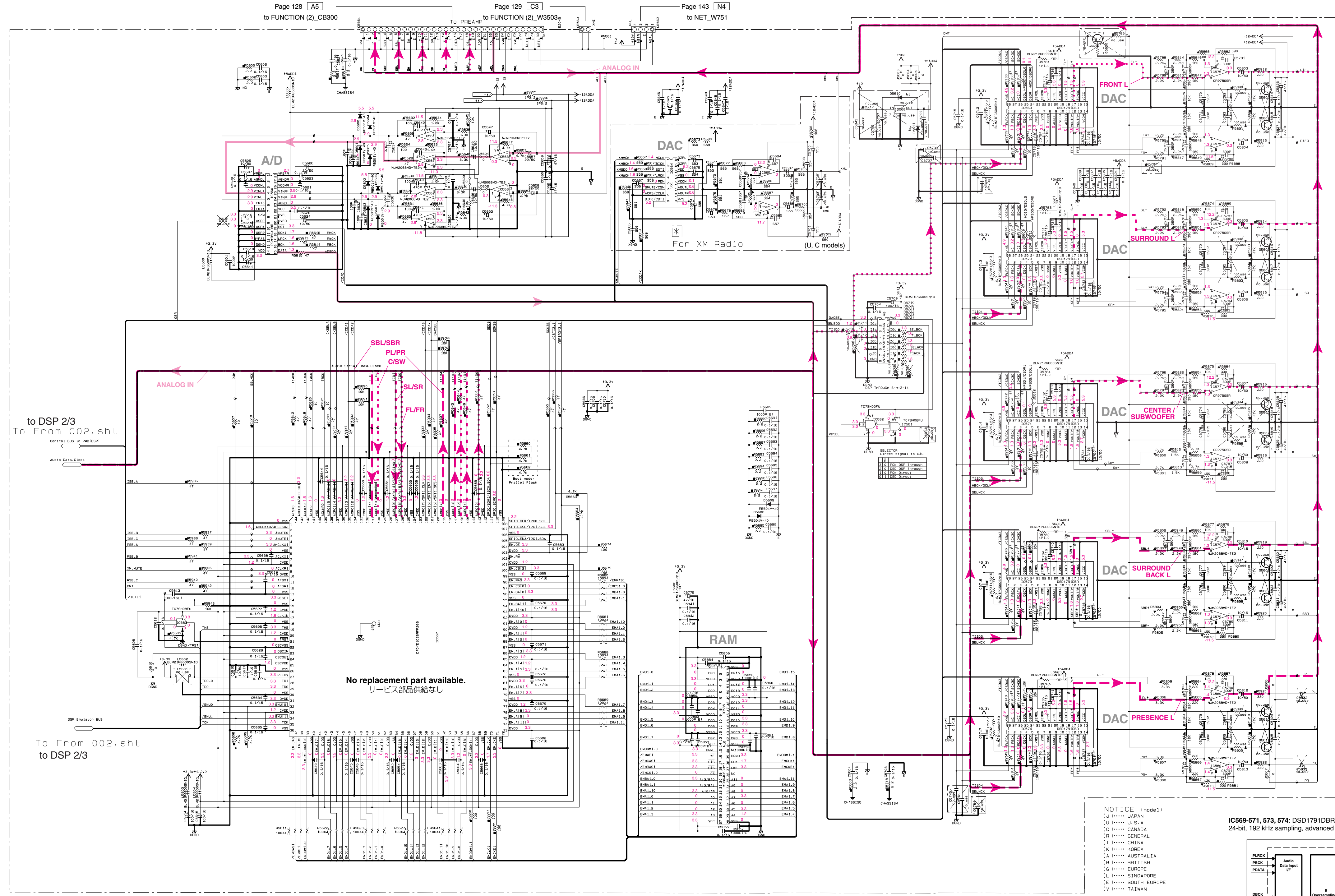
IC543, 545: PO200WNA1ZPH Low power loss regulator



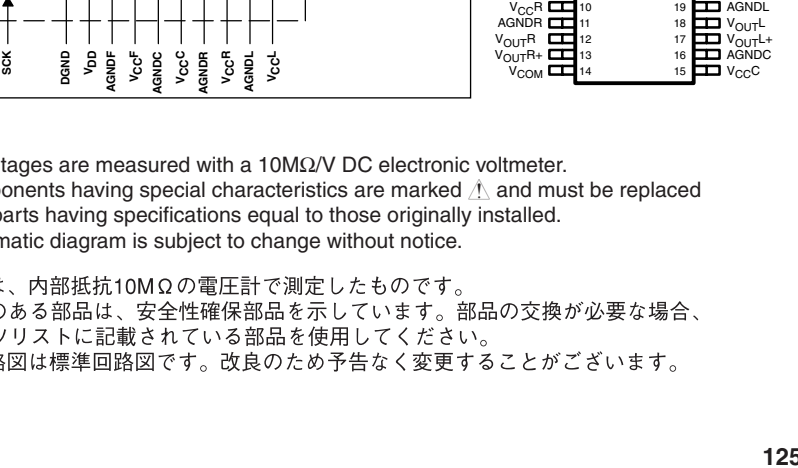
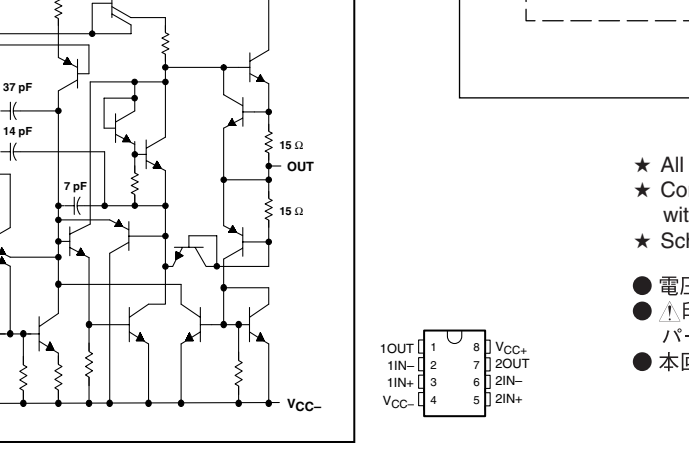
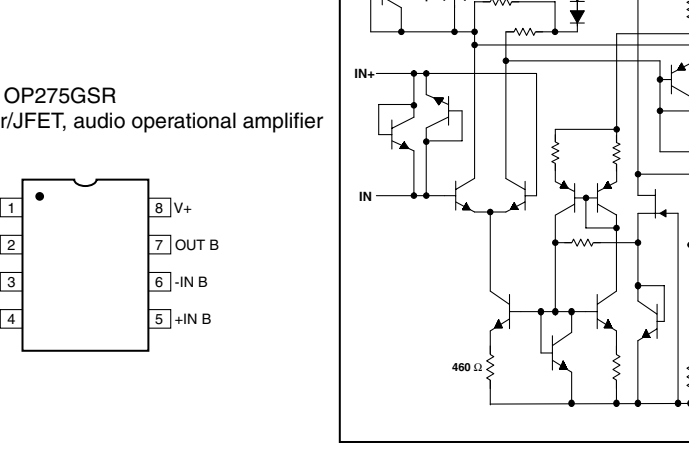
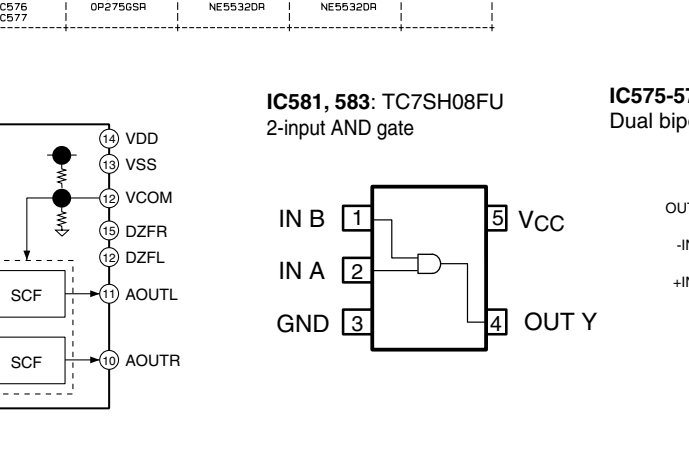
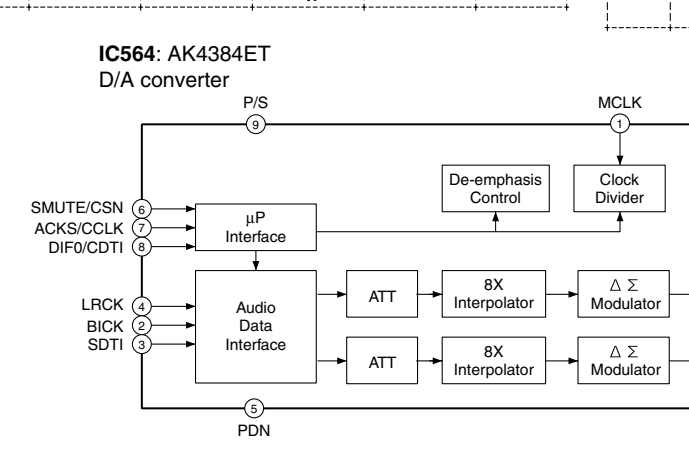
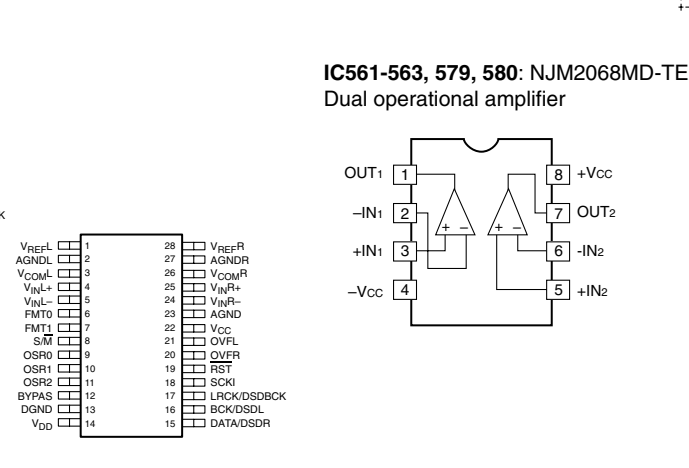
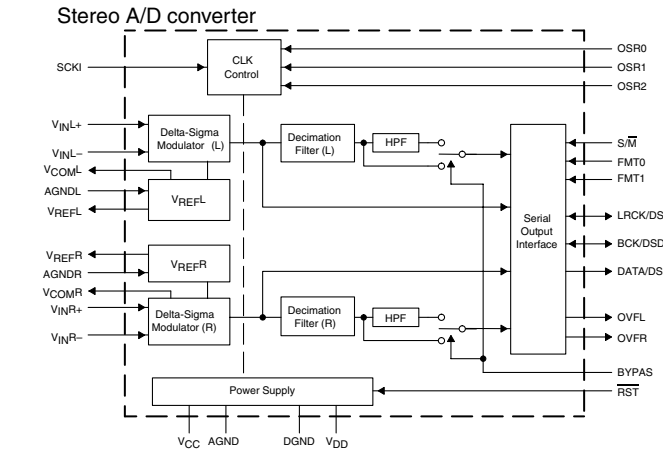
IC544: NJM2885DL1-33 Low dropout voltage regulator



- * All voltages are measured with a 10MΩ/V DC electronic voltmeter.
* Components having special characteristics are marked with a triangle and must be replaced with parts having specifications equal to those originally installed.
* Schematic diagram is subject to change without notice.
● 電圧は、内部抵抗10MΩの電圧計で測定したものです。
● 三角形のある部品は、安全性確保部品を示しています。部品の交換が必要な場合、パーツリストに記載されている部品を使用してください。
● 本回路図は標準回路図です。改良のため予告なく変更することがございます。



Part List	Part List	Part List	Part List
QTY	LOC	U-C	TR-T-X-A-B-D-E-L
555	CS674	X	U02710
556	CS675	X	U02710
557	CS676	X	U02710
558	CS677	X	U02710
559	CS678	X	U02710
560	CS679	X	U02710
561	CS680	X	U02710
562	CS681	X	U02710
563	CS682	X	U02710
564	CS683	X	U02710
565	CS684	X	U02710
566	CS685	X	U02710
567	CS686	X	U02710
568	CS687	X	U02710
569	CS688	X	U02710
570	CS689	X	U02710
571	CS690	X	U02710
572	CS691	X	U02710
573	CS692	X	U02710
574	CS693	X	U02710
575	CS694	X	U02710
576	CS695	X	U02710
577	CS696	X	U02710
578	CS697	X	U02710
579	CS698	X	U02710
580	CS699	X	U02710
581	CS700	X	U02710
582	CS701	X	U02710
583	CS702	X	U02710
584	CS703	X	U02710
585	CS704	X	U02710
586	CS705	X	U02710
587	CS706	X	U02710
588	CS707	X	U02710
589	CS708	X	U02710
590	CS709	X	U02710
591	CS710	X	U02710
592	CS711	X	U02710
593	CS712	X	U02710
594	CS713	X	U02710
595	CS714	X	U02710
596	CS715	X	U02710
597	CS716	X	U02710
598	CS717	X	U02710
599	CS718	X	U02710
600	CS719	X	U02710
601	CS720	X	U02710
602	CS721	X	U02710
603	CS722	X	U02710
604	CS723	X	U02710
605	CS724	X	U02710
606	CS725	X	U02710
607	CS726	X	U02710
608	CS727	X	U02710
609	CS728	X	U02710
610	CS729	X	U02710
611	CS730	X	U02710
612	CS731	X	U02710
613	CS732	X	U02710
614	CS733	X	U02710
615	CS734	X	U02710
616	CS735	X	U02710
617	CS736	X	U02710
618	CS737	X	U02710
619	CS738	X	U02710
620	CS739	X	U02710
621	CS740	X	U02710
622	CS741	X	U02710
623	CS742	X	U02710
624	CS743	X	U02710
625	CS744	X	U02710
626	CS745	X	U02710
627	CS746	X	U02710
628	CS747	X	U02710
629	CS748	X	U02710
630	CS749	X	U02710
631	CS750	X	U02710
632	CS751	X	U02710
633	CS752	X	U02710
634	CS753	X	U02710
635	CS754	X	U02710
636	CS755	X	U02710
637	CS756	X	U02710
638	CS757	X	U02710
639	CS758	X	U02710
640	CS759	X	U02710
641	CS760	X	U02710
642	CS761	X	U02710
643	CS762	X	U02710
644	CS763	X	U02710
645	CS764	X	U02710
646	CS765	X	U02710
647	CS766	X	U02710
648	CS767	X	U02710
649	CS768	X	U02710
650	CS769	X	U02710
651	CS770	X	U02710
652	CS771	X	U02710
653	CS772	X	U02710
654	CS773	X	U02710
655	CS774	X	U02710
656	CS775	X	U02710
657	CS776	X	U02710
658	CS777	X	U02710
659	CS778	X	U02710
660	CS779	X	U02710
661	CS780	X	U02710
662	CS781	X	U02710
663	CS782	X	U02710
664	CS783	X	U02710
665	CS784	X	U02710
666	CS785	X	U02710
667	CS786	X	U02710
668	CS787	X	U02710
669	CS788	X	U02710
670	CS789	X	U02710
671	CS790	X	U02710
672	CS791	X	U02710
673	CS792	X	U02710
674	CS793	X	U02710
675	CS794	X	U02710
676	CS795	X	U02710
677	CS796	X	U02710
678	CS797	X	U02710
679	CS798	X	U02710
680	CS799	X	U02710
681	CS800	X	U02710
682	CS801	X	U02710
683	CS802	X	U02710
684	CS803	X	U02710
685	CS804	X	U02710
686	CS805	X	U02710
687	CS806	X	U02710
688	CS807	X	U02710
689	CS808	X	U02710
690	CS809	X	U02710
691	CS810	X	U02710
692	CS811	X	U02710
693	CS812	X	U02710
694	CS813	X	U02710
695	CS814	X	U02710
696	CS815	X	U02710
697	CS816	X	U02710
698	CS817	X	U02710
699	CS818	X	U02710
700	CS819	X	U02710
701	CS820	X	U02710
702	CS821	X	U02710
703	CS822	X	U02710
704	CS823	X	U02710
705	CS824	X	U02710
706	CS825	X	U02710
707	CS826	X	U02710
708	CS827	X	U02710
709	CS828	X	U02710
710	CS829	X	U02710
711	CS830	X	U02710
712	CS831	X	U02710
713	CS832	X	U02710
714	CS833	X	U02710
715	CS834	X	U02710
716	CS835	X	U02710
717	CS836	X	U02710
718	CS837	X	U02710
719	CS838	X	U02710
720	CS839	X	U02710
721	CS840	X	U02710
722	CS841	X	U02710
723	CS842	X	U02710
724	CS843	X	U02710
725	CS844	X	U02710
726	CS845	X	U02710
727	CS846	X	U02710
728	CS847	X	U02710
729	CS848	X	U02710
730	CS849	X	U02710
731	CS850	X	U02710
732	CS851	X	U02710
733	CS852	X	U02710
734	CS853	X	U02710
735	CS854	X	U02710
736	CS855	X	U02710
737	CS856	X	U02710
738	CS857	X	U02710
739	CS858	X	U02710
740	CS859	X	U02710
741	CS860	X	U02710
742	CS861	X	U02710
743	CS862	X	U02710
744	CS863	X	U02710
745	CS864	X	U02710
746	CS865	X	U02710
747	CS866	X	U02710
748	CS867	X	U02710
749	CS868	X	U02710
750	CS869	X	U02710
751	CS870	X	U02710
752	CS871	X	U02710
753	CS872	X	U02710
754	CS873	X	U02710
755	CS874	X	U02710
756	CS875	X	U02710
757	CS876	X	U02710
758	CS877	X	U02710
759	CS878	X	U02710
760	CS879	X	U02710
761	CS880	X	U02710
762	CS881	X	U02710
763	CS882	X	U02710
764	CS883	X	U02710
765	CS884	X	U02710
766	CS885	X	U02710
767	CS886	X	U02710
768	CS887	X	U02710
769	CS888	X	U02710
770	CS889	X	U02710
771	CS890	X	U02710
772	CS891	X	U02710
773	CS892	X	U02710
774	CS893	X	U02710
775	CS894	X	U02710
776	CS895	X	U02710
777	CS896	X	U02710
778	CS897	X	U02710
779	CS898	X	U02710
780	CS899	X	U02710
781	CS900	X	U02710



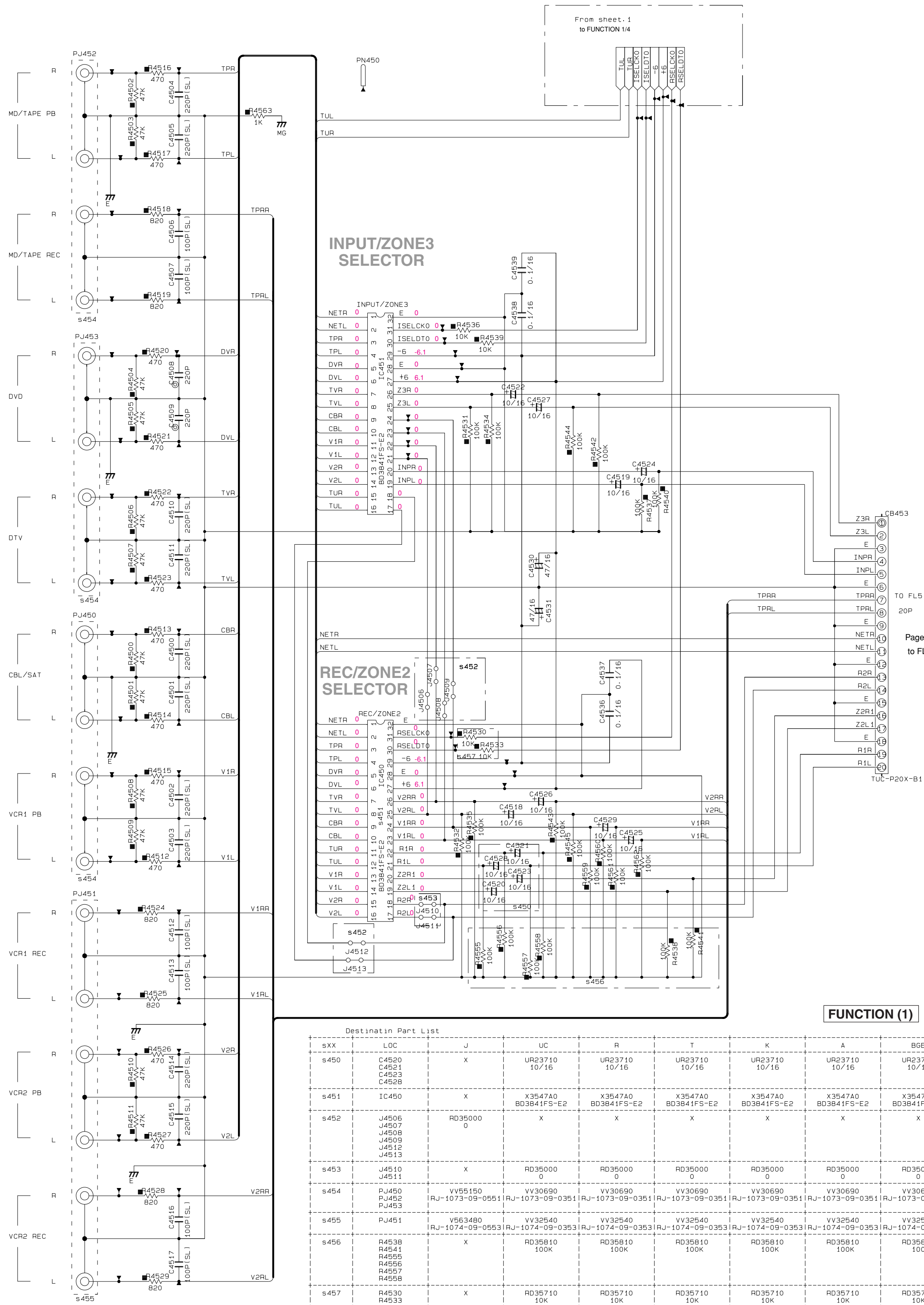
NOTICE (model)

- (J) JAPAN
- (U) U.S.A
- (C) CANADA
- (R) GENERAL
- (I) CHINA
- (K) KOREA
- (A) AUSTRALIA
- (B) BRITISH
- (G) EUROPE
- (L) SINGAPORE
- (E) SOUTH EUROPE
- (V) TAIWAN

★ All voltages are measured with a 10MΩ/V DC electronic voltmeter.
 ★ Components having special characteristics are marked Δ and must be replaced with parts having specifications equal to those originally installed.
 ★ Schematic diagram is subject to change without notice.

● 電圧は、内部抵抗10MΩの電圧計で測定したものです。
 ● Δ 印のある部品は、安全性確保部品を示しています。部品の交換が必要な場合、パーツリストに記載されている部品を使用してください。
 ● 本回路図は標準回路図です。改良のため予告なく変更することがございます。

FUNCTION 2/4



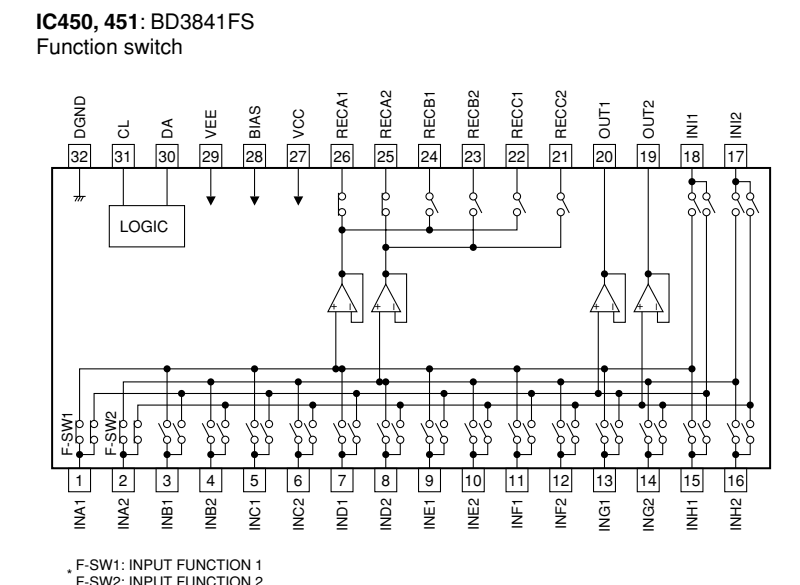
RESISTOR

REMARKS	PARTS NAME
NO MARK	CARBON FILM RESISTOR (P=5)
☑	CARBON FILM RESISTOR (P=10)
△	METAL OXIDE FILM RESISTOR
⊠	METAL FILM RESISTOR
⊞	METAL PLATE RESISTOR
⊞	FIRE PROOF CARBON FILM RESISTOR
□	CEMENT MOLDED RESISTOR
⊞	SEMI VARIABLE RESISTOR
■	CHIP RESISTOR

CAPACITOR

REMARKS	PARTS NAME
NO MARK	ELECTROLYTIC CAPACITOR
⊗	TANTALUM CAPACITOR
NO MARK	CERAMIC CAPACITOR
●	CERAMIC TUBULAR CAPACITOR
⊙	POLYESTER FILM CAPACITOR
○	POLYSTYRENE FILM CAPACITOR
⊖	MICA CAPACITOR
⊕	POLYPROPYLENE FILM CAPACITOR
⊗	SEMICONDUCTIVE CERAMIC CAPACITOR
⊙	POLYPHENYLENE SULFIDE FILM CAPACITOR

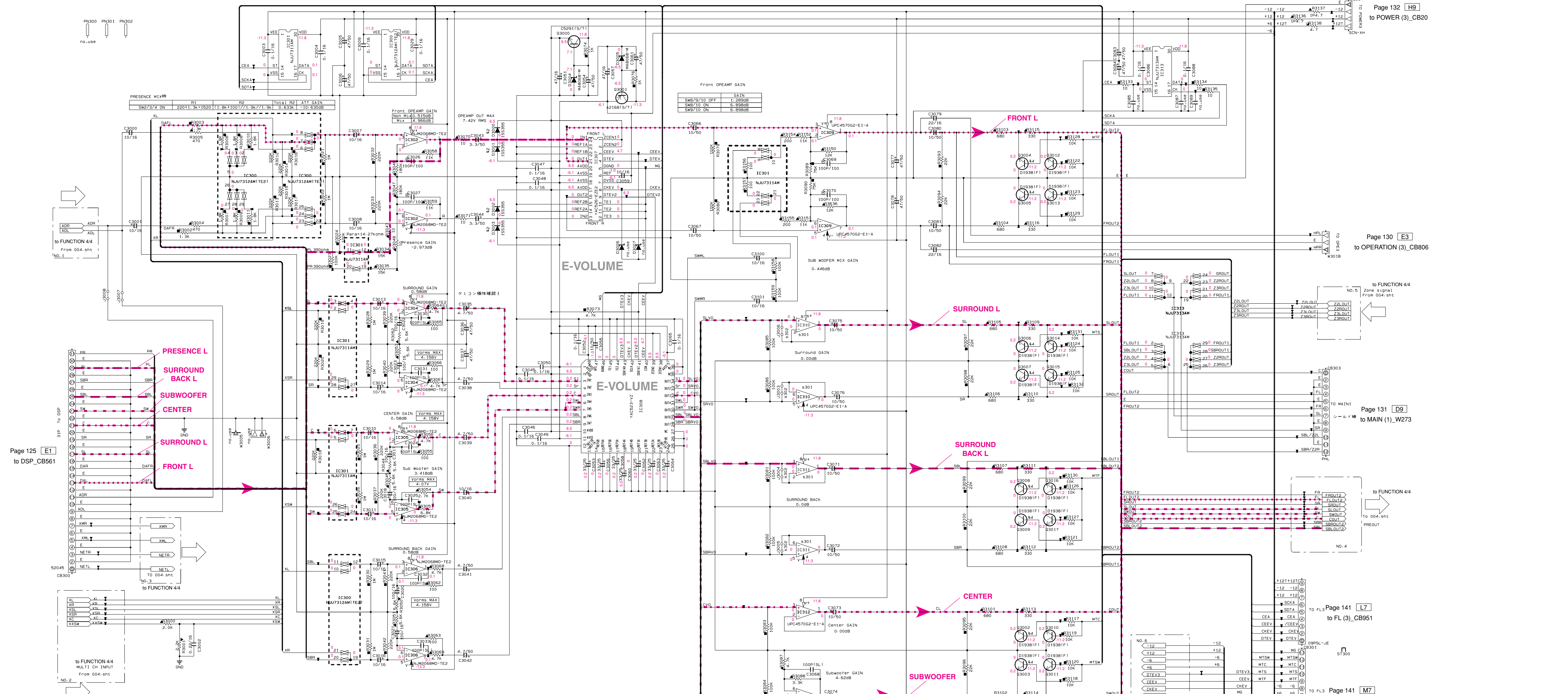
NOTICE (mode1)
 (J)..... JAPAN
 (U)..... U.S.A
 (C)..... CANADA
 (R)..... GENERAL
 (T)..... CHINA
 (K)..... KOREA
 (A)..... AUSTRALIA
 (B)..... BRITISH
 (G)..... EUROPE
 (L)..... SINGAPORE
 (E)..... SOUTH EUROPE
 (V)..... TAIWAN



FUNCTION (1)

★ All voltages are measured with a 10MΩ/V DC electronic voltmeter.
 ★ Components having special characteristics are marked ⊠ and must be replaced with parts having specifications equal to those originally installed.
 ★ Schematic diagram is subject to change without notice.
 ● 電圧は、内部抵抗10MΩの電圧計で測定したものです。
 ● ⊠印のある部品は、安全性確保部品を示しています。部品の交換が必要な場合、パーツリストに記載されている部品を使用してください。
 ● 本回路図は標準回路図です。改良のため予告なく変更することがございます。

FUNCTION 3/4



Destination Part List

EXX	LOC	J	R	T	K	A	80	L	REMARKS
6301	IC310	X	X	X	X	X	X	X	Countermeasures (JISound Quality)
6302	J3004	X	RD36000	X	X	X	X	X	
	J3005								
	J3006								

設計値 (Design Values)

チャンネル	FRONT	CENTER	SURROUND	SURROUND BACK	SUB WOOFER	ZONE2 & ZONE3
設計値	0.0	0.0	0.0	0.0	0.0	0.0
測定値	12.5	14.0	14.0	14.0	14.0	14.0

定数計算値 (Constant Calculation Values)

チャンネル	FRONT	CENTER	SURROUND	SURROUND BACK	SUB WOOFER	ZONE2 & ZONE3
定数計算値	0.515	0.584	0.584	0.584	0.584	0.584
測定値	12.5	14.0	14.0	14.0	14.0	14.0

MIX設計値 (MIX Design Values)

チャンネル	FRONT	CENTER	SURROUND	SURROUND BACK	SUB WOOFER
MIX設計値	-1.5	-3.5	-3.5	-3.5	0.0
測定値	12.5	14.0	14.0	14.0	14.0

MIX定数計算値 (MIX Constant Calculation Values)

チャンネル	FRONT	CENTER	SURROUND	SURROUND BACK	SUB WOOFER
MIX定数計算値	1.288	0.898	1.288	1.288	4.620
測定値	12.5	14.0	14.0	14.0	14.0

RESISTOR PARTS NAME

REMARKS	PARTS NAME
NO MARK	CARBON FILM RESISTOR (D=5)
NO MARK	CARBON FILM RESISTOR (D=10)
△	METAL FILM RESISTOR
▲	METAL OXIDE FILM RESISTOR
△	METAL FILM RESISTOR
□	METAL PLATE RESISTOR
■	FINE PROOF CARBON FILM RESISTOR
■	CEMENT MOLDED RESISTOR
■	SEMI VARIABLE RESISTOR
■	CHIP RESISTOR

CAPACITOR PARTS NAME

REMARKS	PARTS NAME
NO MARK	ELECTROLYTIC CAPACITOR
⊗	TANTALUM CAPACITOR
NO MARK	CERAMIC CAPACITOR
⊙	CERAMIC TUBULAR CAPACITOR
⊖	POLYESTER FILM CAPACITOR
○	POLYSTYRENE FILM CAPACITOR
⊕	MICA CAPACITOR
⊖	POLYPROPYLENE FILM CAPACITOR
⊖	SEMICONDUCTIVE CERAMIC CAPACITOR
⊖	POLYPHENYLENE SULFIDE FILM CAPACITOR

NOTICE (model)

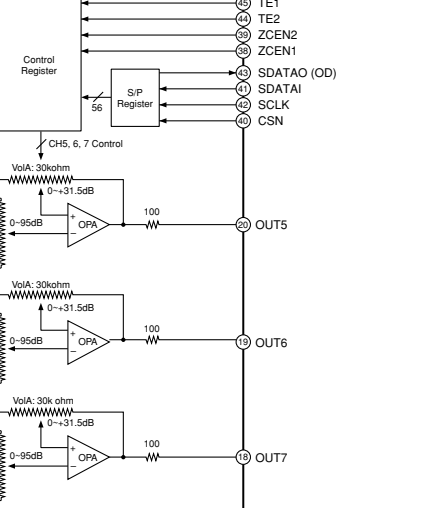
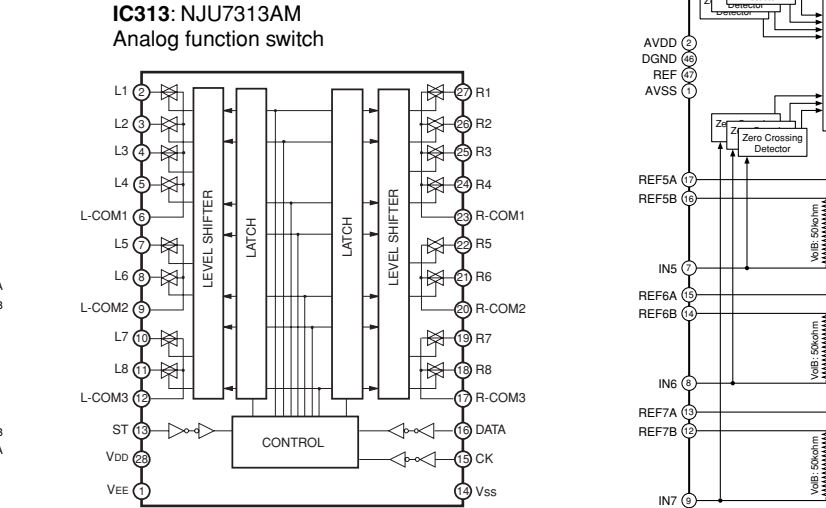
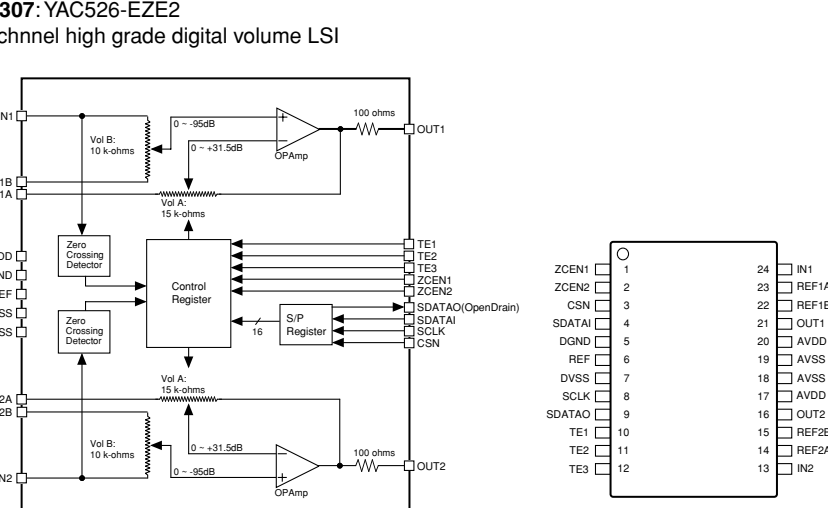
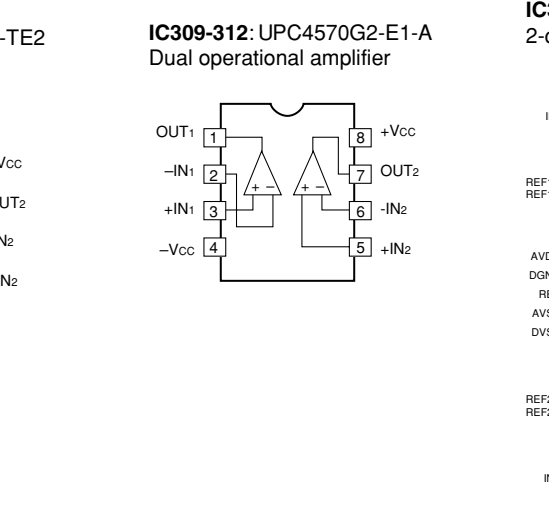
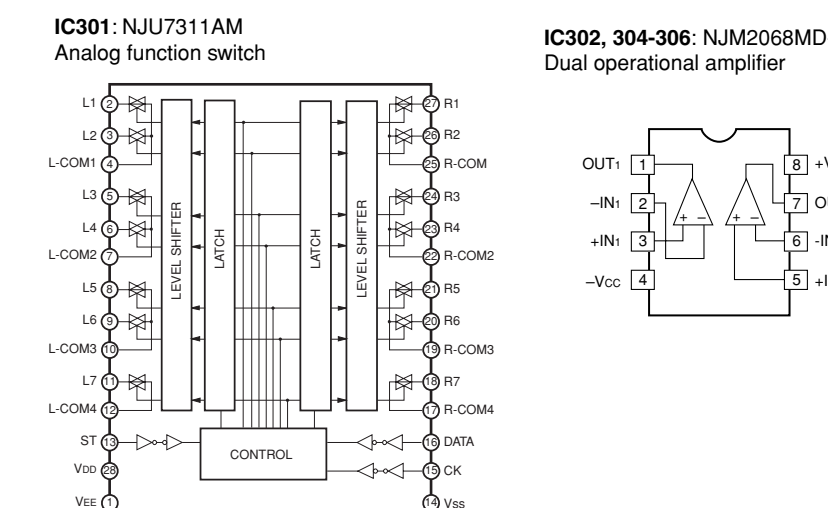
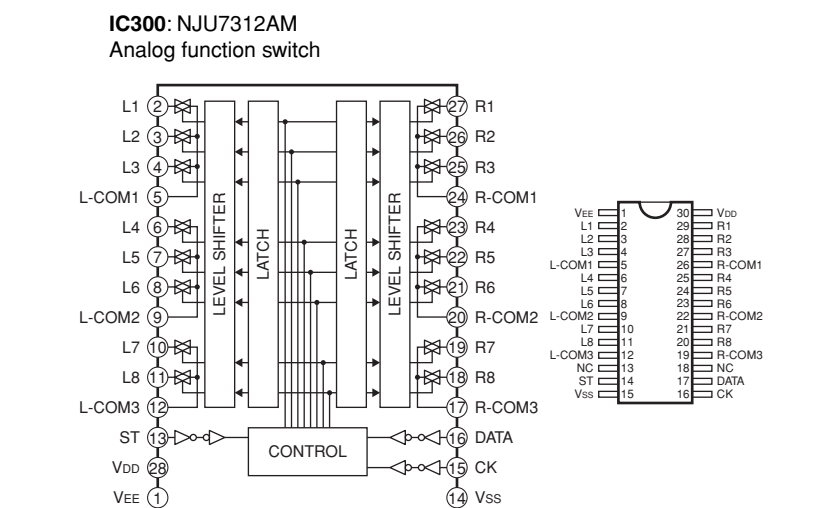
(J)..... JAPAN
 (U)..... U.S.A
 (C)..... CANADA
 (R)..... GENERAL
 (T)..... CHINA
 (K)..... KOREA
 (A)..... AUSTRALIA
 (B)..... BRITISH
 (G)..... EUROPE
 (L)..... SINGAPORE
 (E)..... SOUTH EUROPE
 (Y)..... TAIWAN

FUNCTION (2)

FUNC (2)

- ★ All voltages are measured with a 10MΩ/V DC electronic voltmeter.
- ★ Components having special characteristics are marked with a triangle (▲) and must be replaced with parts having specifications equal to those originally installed.
- ★ Schematic diagram is subject to change without notice.

- 電圧は、内部抵抗10MΩの電圧計で測定したものです。
- 1印のある部品は、安全性確保部品を示しています。部品の交換が必要な場合、パーツリストに記載されている部品を使用してください。
- 本回路図は標準回路図です。改良のため予告なく変更することがございます。



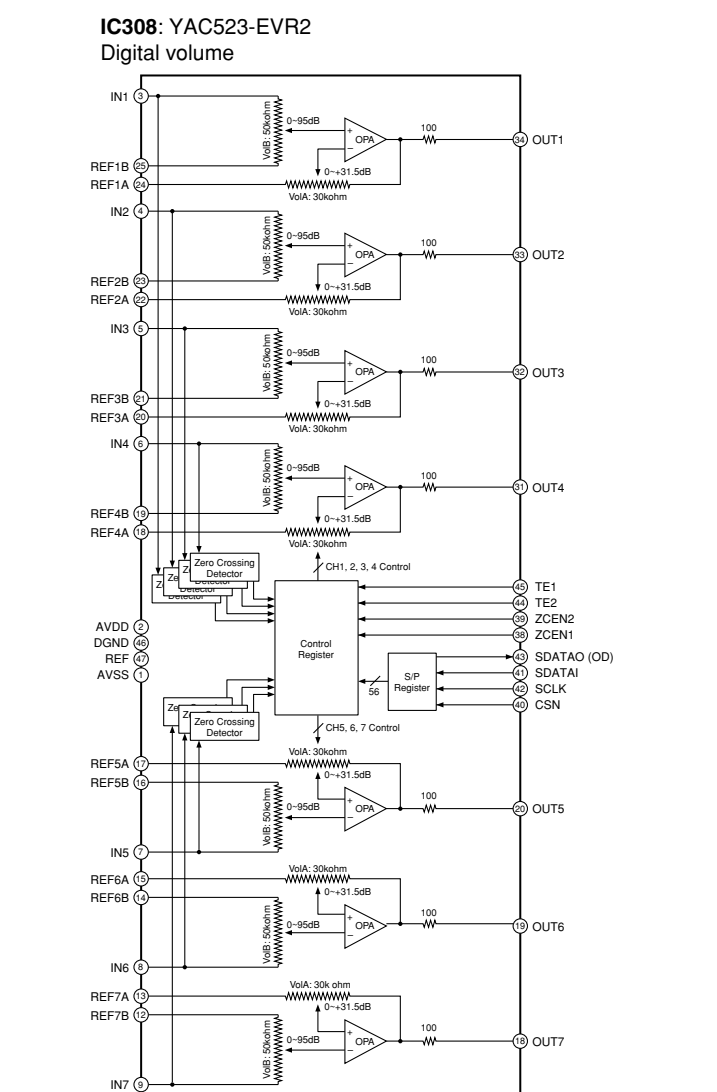
Page 132 [H9] to POWER (3)_CB20

Page 130 [E3] to OPERATION (3)_CB006

Page 131 [D9] to MAIN (1)_W273

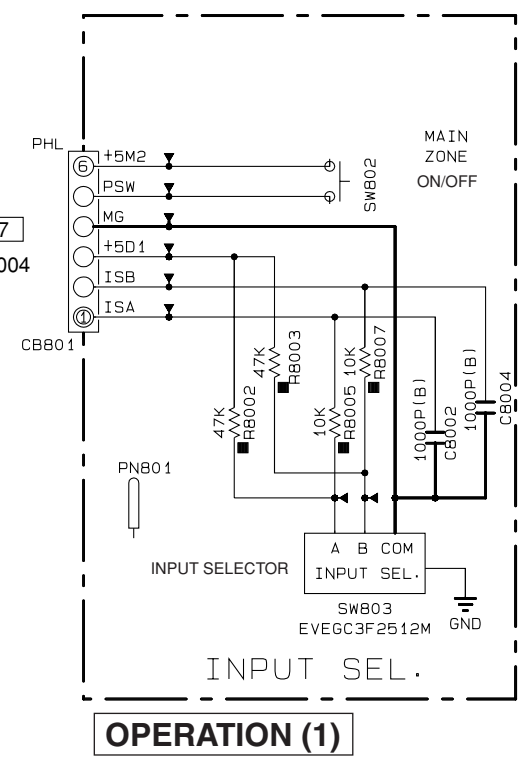
Page 141 [L7] to FL (3)_CB951

Page 141 [M7] to FL (3)_CB956



OPERATION

Page 140 [J7]
to FL (1)_W9004



OPERATION (1)

Page 123 [F1]
to DSP_W5001

Page 129 [D1]
to FUNCTION (2)_W301A

Page 128 [M3]
to FUNCTION (2)_W301B

Page 134 [C2]
to A-VIDEO_W2002

Page 141 [K3]
to FL (2)_CB971

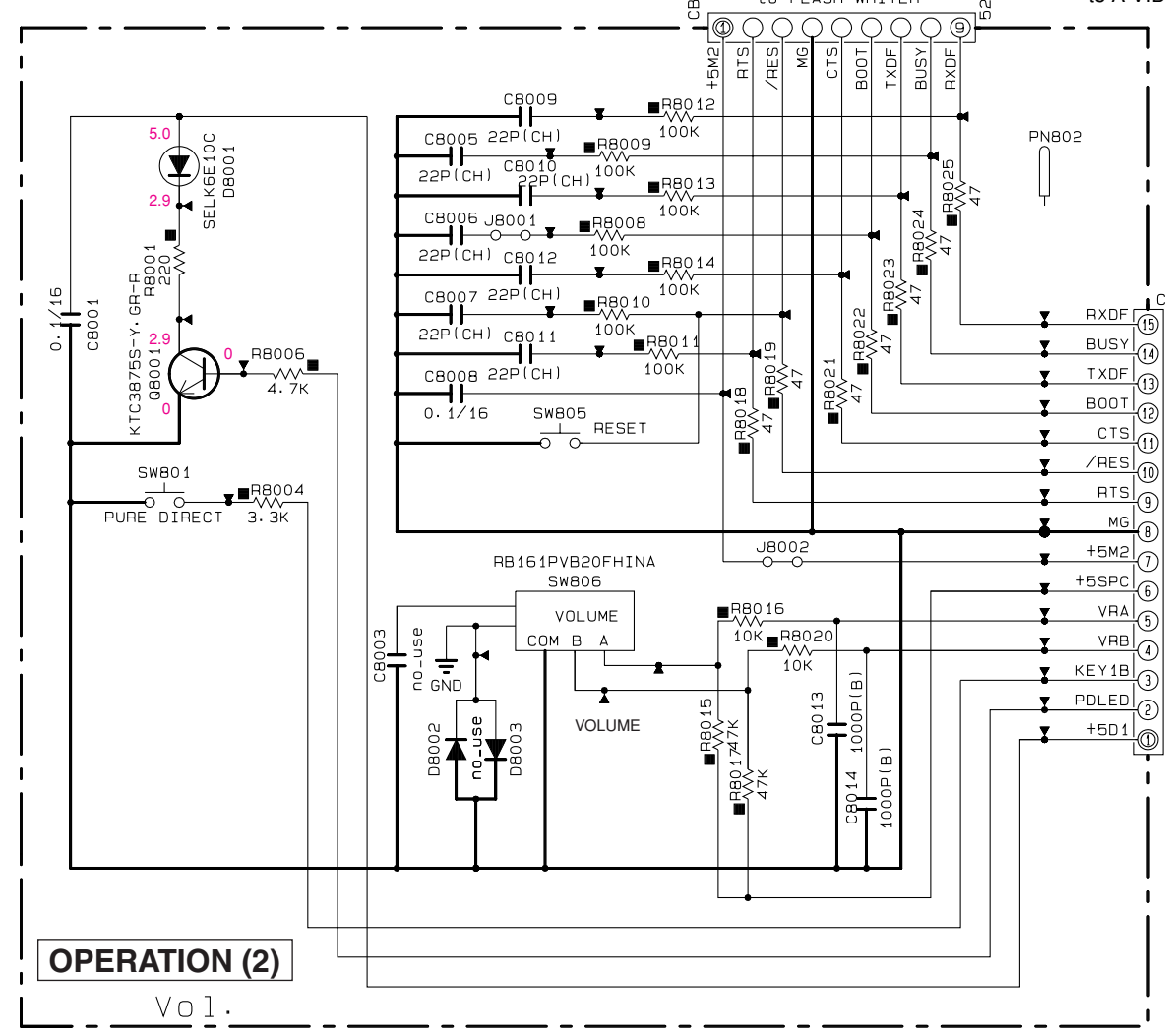
Page 140 [J2]
to OPERATION (4)_CB810

Page 140 [E8]
to OPERATION (3)_CB804

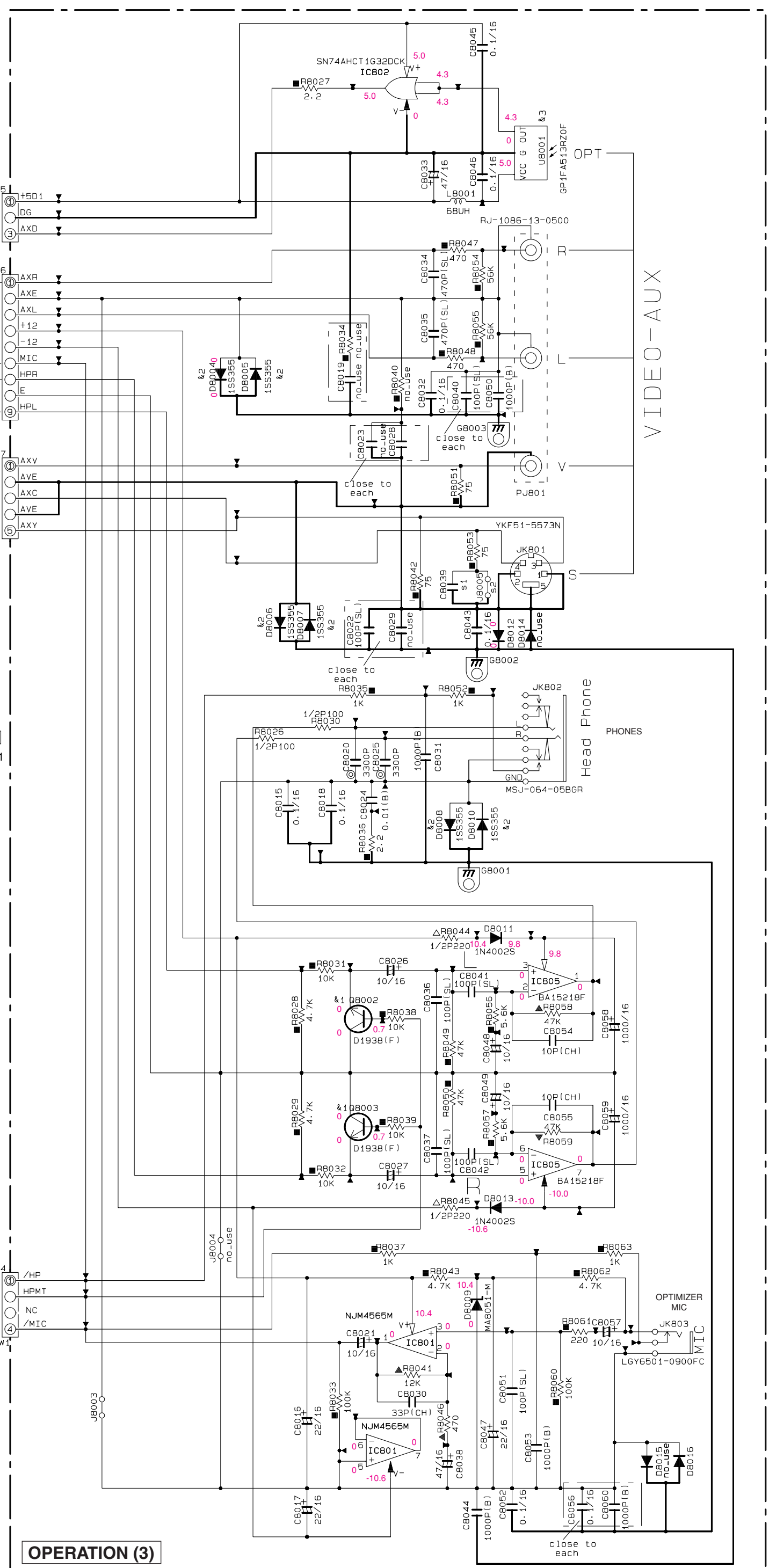
Page 140 [J6]
to FL (1)_W9003

Page 140 [J4]
to FL (1)_W9002

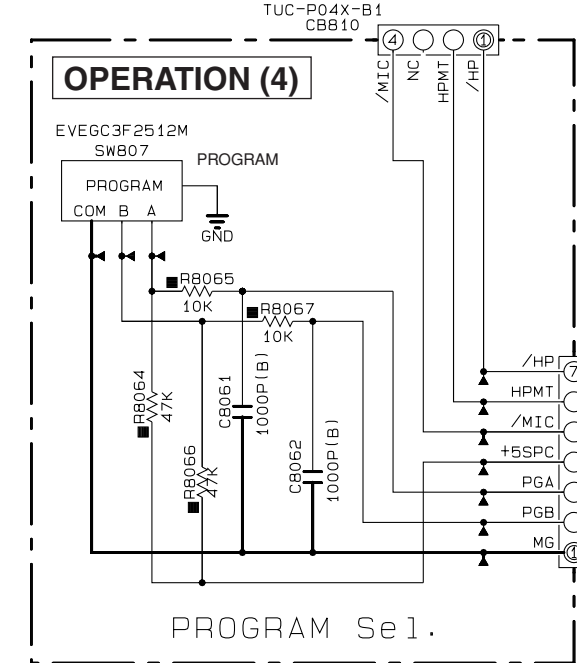
Page 142 [G8]
to NET_W603



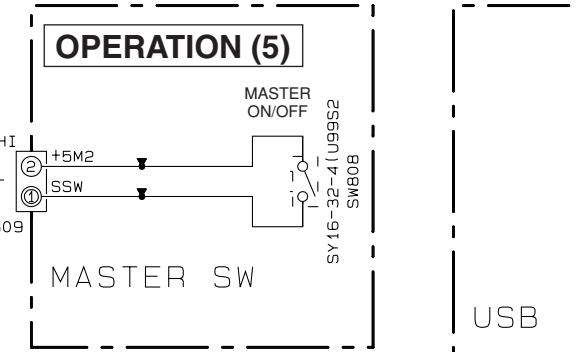
OPERATION (2)



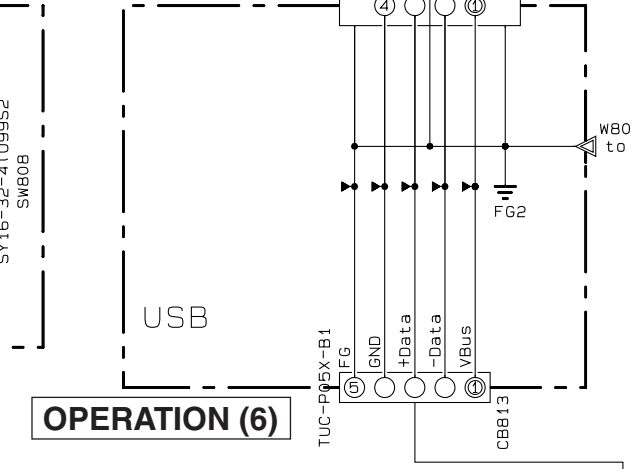
OPERATION (3)



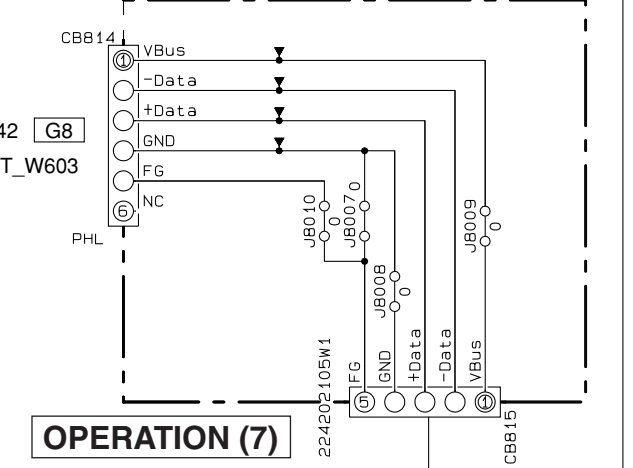
OPERATION (4)



OPERATION (5)



OPERATION (6)



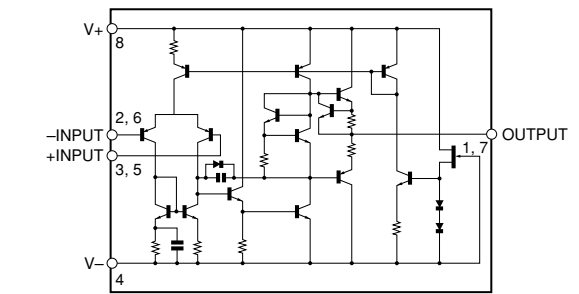
OPERATION (7)

REMARKS	PARTS NAME
NO MARK	CARBON FILM RESISTOR (P=5)
□	CARBON FILM RESISTOR (P=10)
△	METAL OXIDE FILM RESISTOR
▲	METAL FILM RESISTOR
■	METAL PLATE RESISTOR
▣	FIRE PROOF CARBON FILM RESISTOR
▤	CEMENT MOLDED RESISTOR
▥	SEMI VARIABLE RESISTOR
▦	CHIP RESISTOR

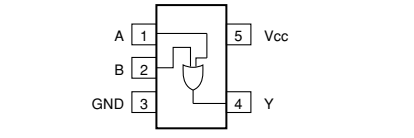
REMARKS	PARTS NAME
NO MARK	ELECTROLYTIC CAPACITOR
⊗	TANTALUM CAPACITOR
NO MARK	CERAMIC CAPACITOR
●	CERAMIC TUBULAR CAPACITOR
○	POLYESTER FILM CAPACITOR
○	POLYSTYRENE FILM CAPACITOR
○	MICA CAPACITOR
○	POLYPROPYLENE FILM CAPACITOR
○	SEMICONDUCTIVE CERAMIC CAPACITOR

IMPLEMENTATION:
INPUT SELECTOR
VOLUME
VIDEO-AUX
HEAD PHONE AMP
MIC AMP
PROGRAM SELECTOR
MASTER SWITCH
USB CONNECTOR

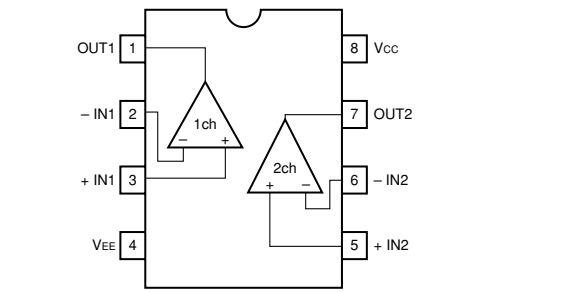
IC801: NJM4555M
Dual operational amplifier



IC802: SN74AHC1G32DCKR
Single 2-input positive-OR gate



IC805: BA15218F
Dual high slew rate, low noise operational amplifier



Interchangeable Parts at Manufacture-Stage

Mark	Reference Parts Number	Parts Name
k1	0B002-8003	2S01938(F) 2SC3326(A/B) 2SC938(A/B) 2S02704K
k2	0B004-8008-8010	1S5355 MA111 KDS160-RTK/P
k3	UB001	GP1FA513R20F GP1FA513RZ

NOTICE (model)
(J)..... JAPAN
(U)..... U. S. A
(C)..... CANADA
(R)..... GENERAL
(T)..... CHINA
(K)..... KOREA
(A)..... AUSTRALIA
(B)..... BRITISH
(G)..... EUROPE
(L)..... SINGAPORE
(E)..... SOUTH EUROPE
(V)..... TAIWAN

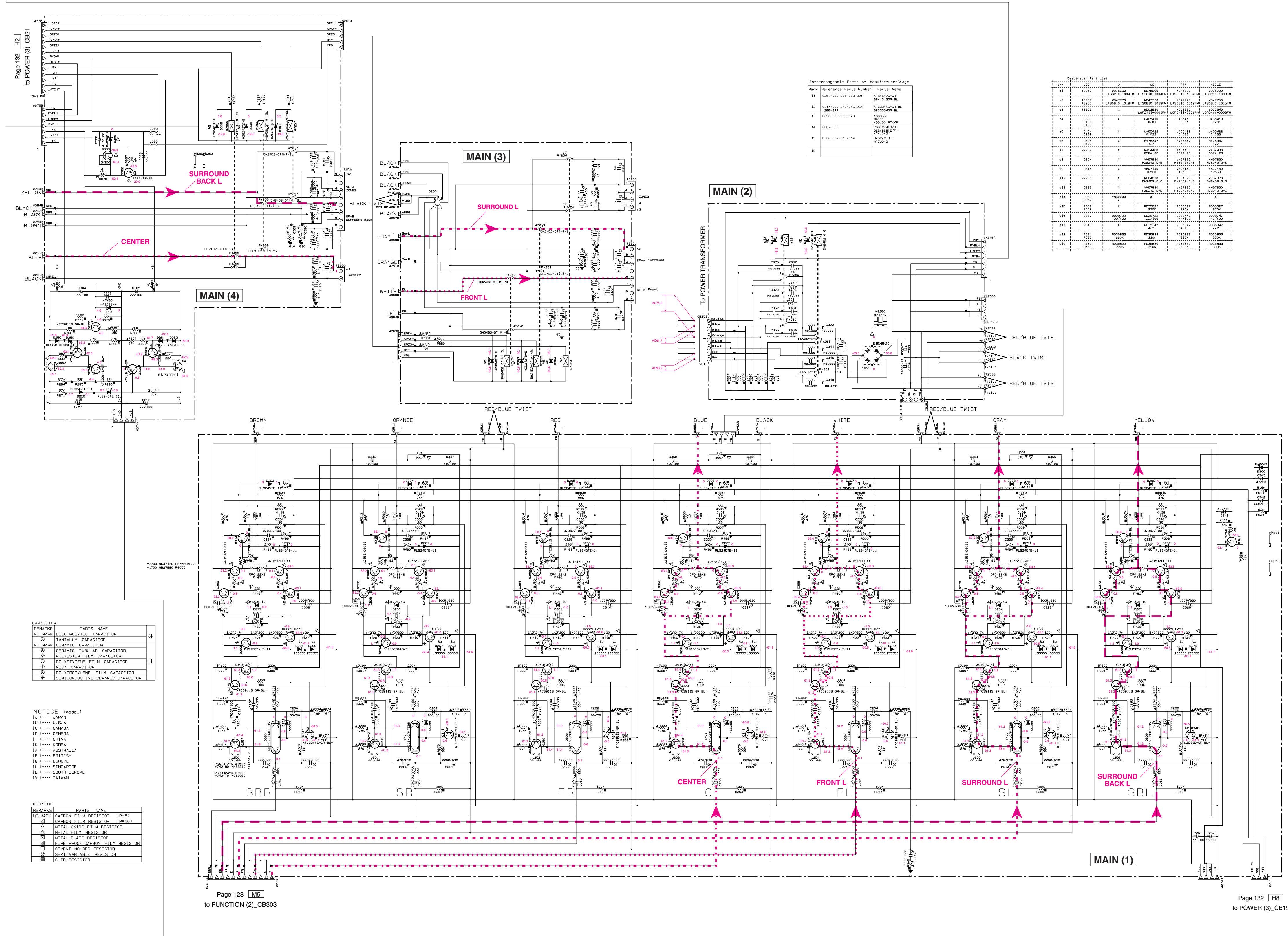
Destination Part List

sxx	LDC	J	UCRTKABGEL
s1	CB039	US13510 0.1/16	X
s2	JB005	X	RD35000

★ All voltages are measured with a 10MΩ/V DC electronic voltmeter.
★ Components having special characteristics are marked with a triangle, and must be replaced with parts having specifications equal to those originally installed.
★ Schematic diagram is subject to change without notice.

●電圧は、内部抵抗10MΩの電圧計で測定したものです。
●△印のある部品は、安全性確保部品を示しています。部品の交換が必要な場合、パーツリストに記載されている部品を使用してください。
●本回路図は標準回路図です。改良のため予告なく変更することがございます。

MAIN



CAPACITOR

REMARKS	PARTS NAME
NO. MARK	ELECTROLYTIC CAPACITOR
⊗	TANTALUM CAPACITOR
NO. MARK	CERAMIC CAPACITOR
⊙	CERAMIC TUBULAR CAPACITOR
○	POLYESTER FILM CAPACITOR
○	POLYETHYLENE FILM CAPACITOR
○	MICA CAPACITOR
○	POLYPROPYLENE FILM CAPACITOR
●	SEMICONDUCTIVE CERAMIC CAPACITOR

NOTICE (Note1)

(J)..... JAPAN
 (U)..... U.S.A.
 (C)..... CANADA
 (R)..... GENERAL
 (T)..... CHINA
 (K)..... KOREA
 (A)..... AUSTRALIA
 (B)..... BRITISH
 (G)..... EUROPE
 (L)..... SINGAPORE
 (E)..... SOUTH EUROPE
 (V)..... TAIWAN

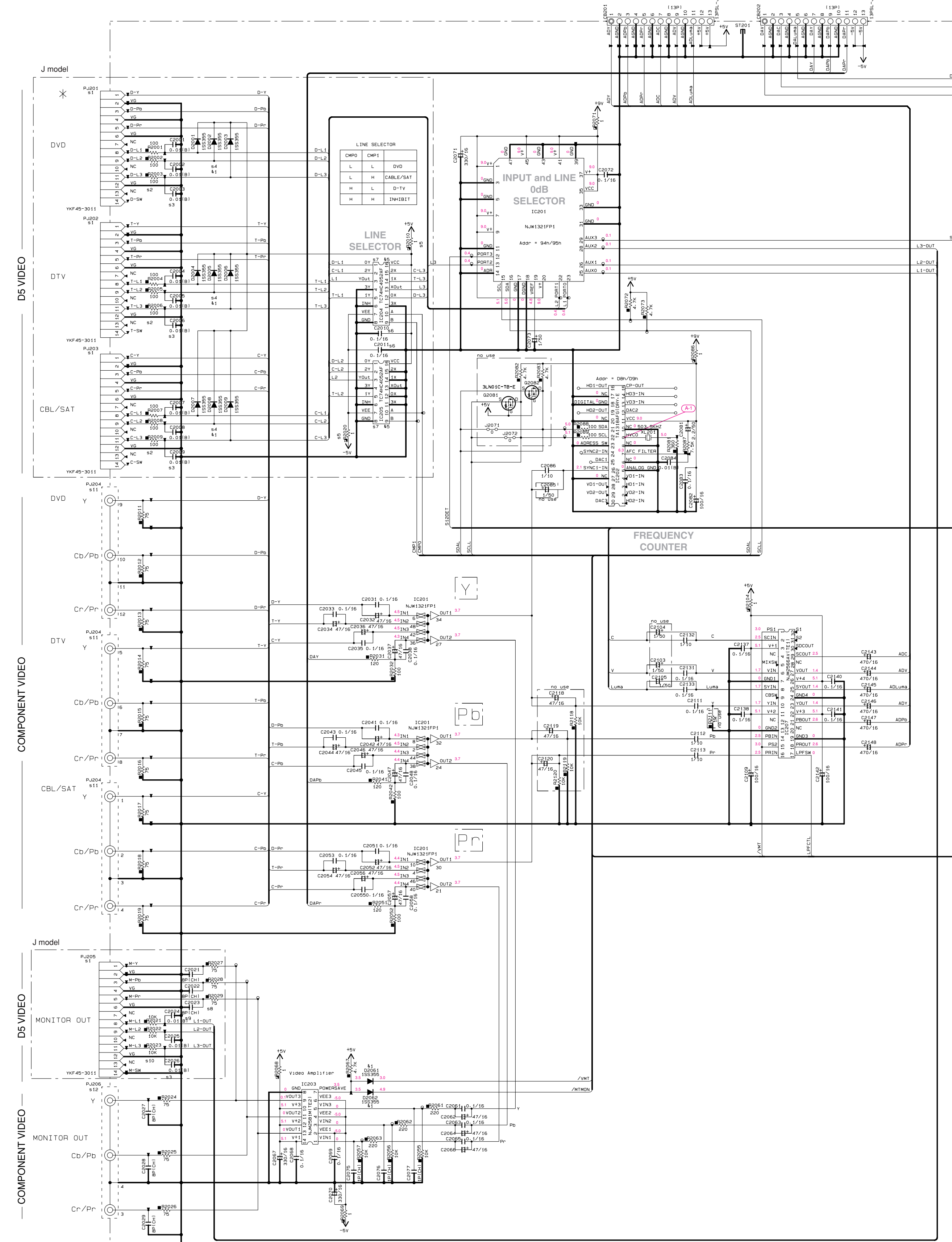
RESISTOR

REMARKS	PARTS NAME
NO. MARK	CARBON FILM RESISTOR (P=1)
□	CARBON FILM RESISTOR (P=10)
△	METAL OXIDE FILM RESISTOR
△	METAL FILM RESISTOR
□	METAL PLATE RESISTOR
□	FILM PROOF CARBON FILM RESISTOR
□	CHEMIST-MOUNTED RESISTOR
⊙	SEMI-VARIABLE RESISTOR
■	CHIP RESISTOR

★ All voltages are measured with a 10MΩ/V DC electronic voltmeter.
 ★ Components having special characteristics are marked Δ and must be replaced with parts having specifications equal to those originally installed.
 ★ Schematic diagram is subject to change without notice.
 ● 電圧は、内部抵抗10MΩの電圧計で測定したものです。
 ● Δ 印のある部品は、安全性確保部品を示しています。部品の交換が必要な場合、パーツリストに記載されている部品を使用してください。
 ● 本回路図は標準回路図です。改良のため予告なく変更することがございます。

A-VIDEO 1/2

Page 136 [A5] to D-VIDEO_CB122
Page 136 [A4] to D-VIDEO_CB121



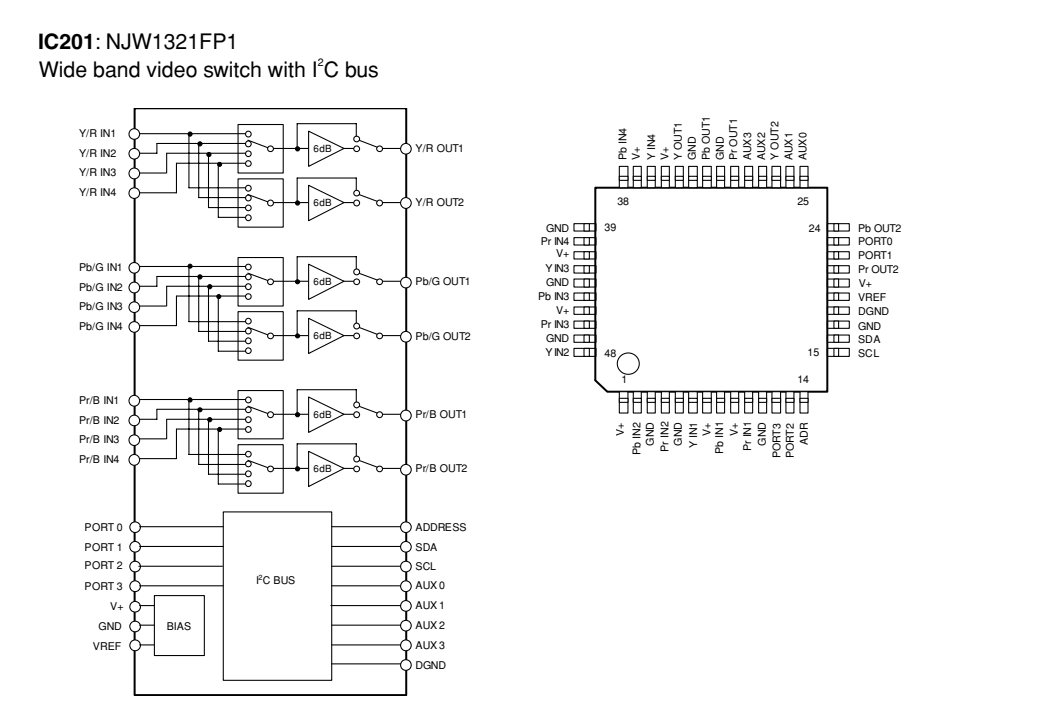
RESISTOR

REMARKS	PARTS NAME
NO MARK	CARBON FILM RESISTOR (P=5)
□	CARBON FILM RESISTOR (P=10)
△	METAL OXIDE FILM RESISTOR
▲	METAL FILM RESISTOR
⊞	METAL PLATE RESISTOR
■	FIRE PROOF CARBON FILM RESISTOR
□	CEMENT MOLDED RESISTOR
○	SEMI-VARIABLE RESISTOR
■	CHIP RESISTOR

NOTICE (model1)
(J)..... JAPAN
(U)..... U.S.A
(C)..... CANADA
(R)..... GENERAL
(T)..... CHINA
(K)..... KOREA
(A)..... AUSTRALIA
(B)..... BRITISH
(S)..... EUROPE
(L)..... SINGAPORE
(E)..... SOUTH EUROPE
(V)..... TAIWAN

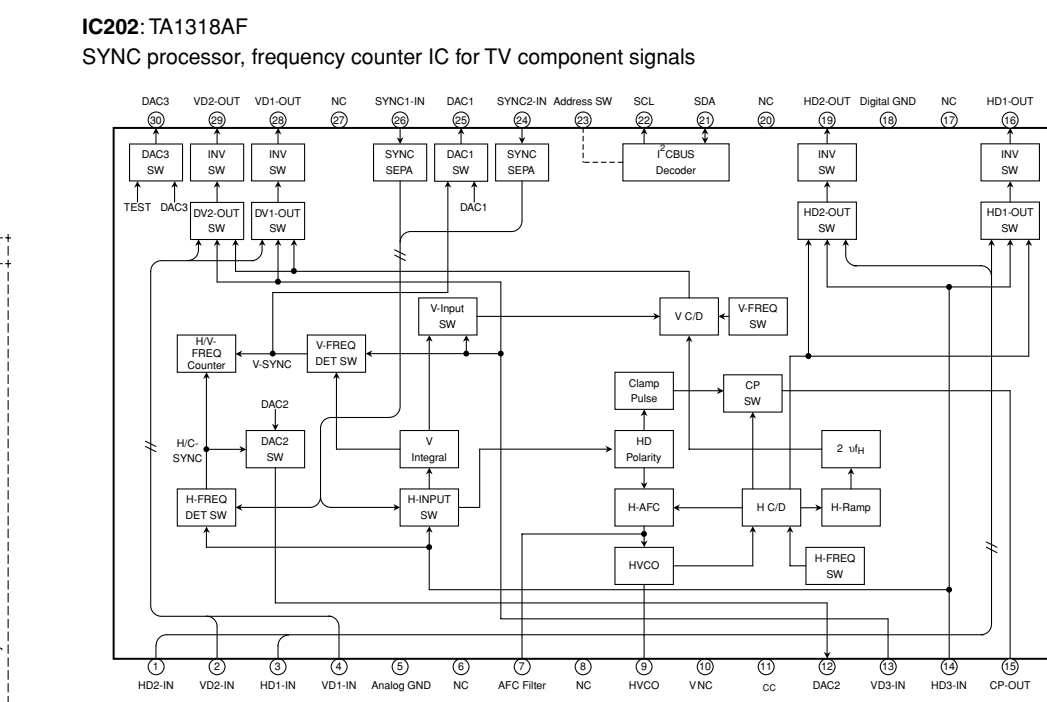
CAPACITOR

REMARKS	PARTS NAME
NO MARK	ELECTROLYTIC CAPACITOR
□	TANTALUM CAPACITOR
NO MARK	CERAMIC CAPACITOR
○	CERAMIC TUBULAR CAPACITOR
○	POLYESTER FILM CAPACITOR
○	POLYSTYRENE FILM CAPACITOR
○	MICA CAPACITOR
○	POLYPROPYLENE FILM CAPACITOR
○	SEMICONDUCTIVE CERAMIC CAPACITOR
○	POLYPHENYLENE SULFIDE FILM CAPACITOR



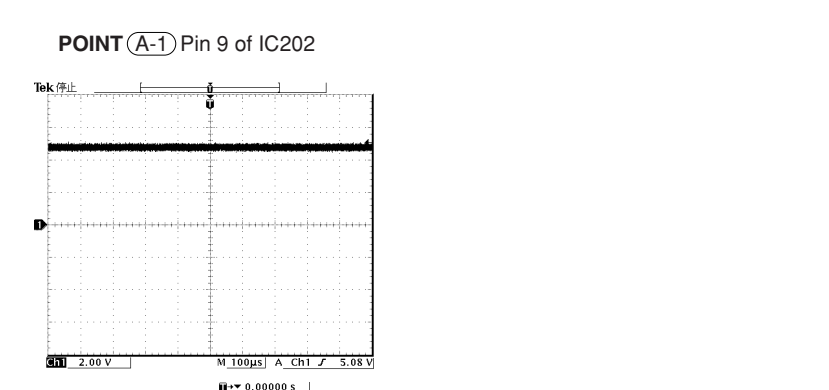
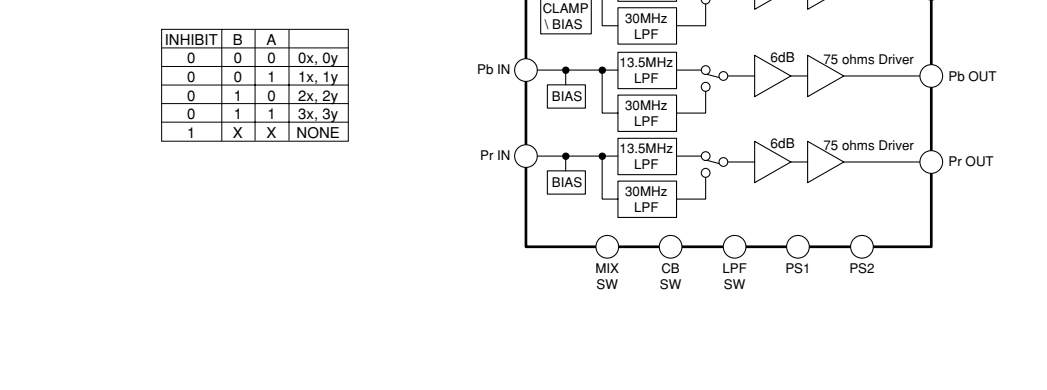
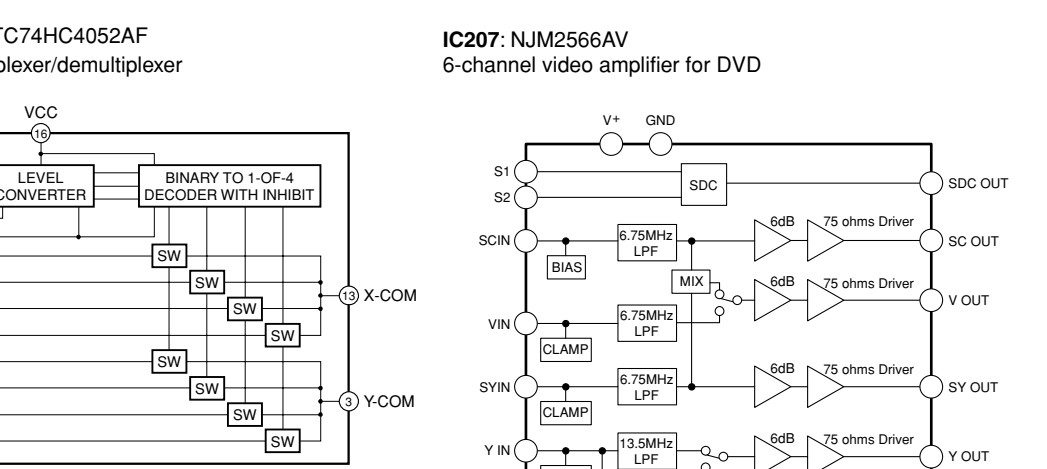
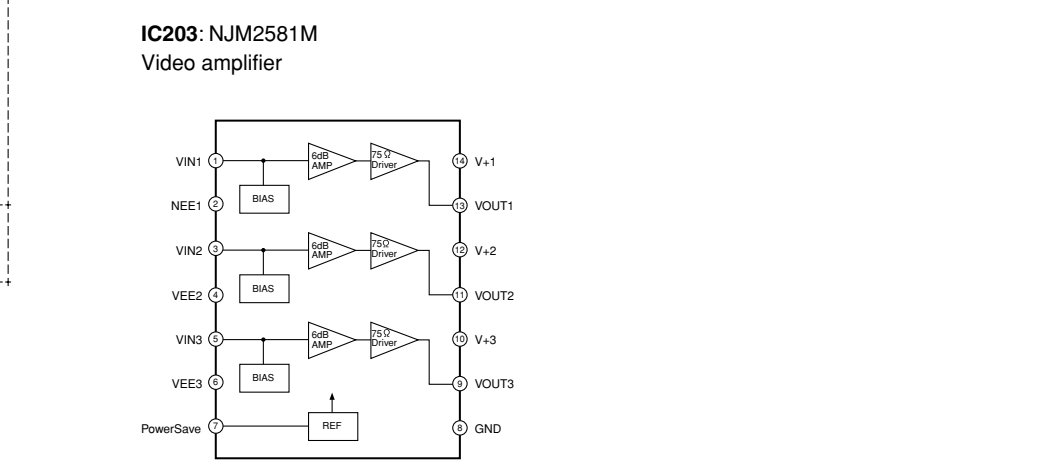
Destination Part List

MARK	DESTINATION	U-C	R-X	T.A.B.G.L.E
81	P1001	X	X	X
82	P1002	X	X	X
83	C2001	X	X	X
84	D2001	X	X	X
85	R2010	X	X	X
86	C2010	X	X	X
87	IC204	X	X	X
88	R2027	X	X	X
89	C2021	X	X	X
90	R2022	X	X	X
91	P1004	X	X	X
92	P1005	X	X	X
93	P1006	X	X	X



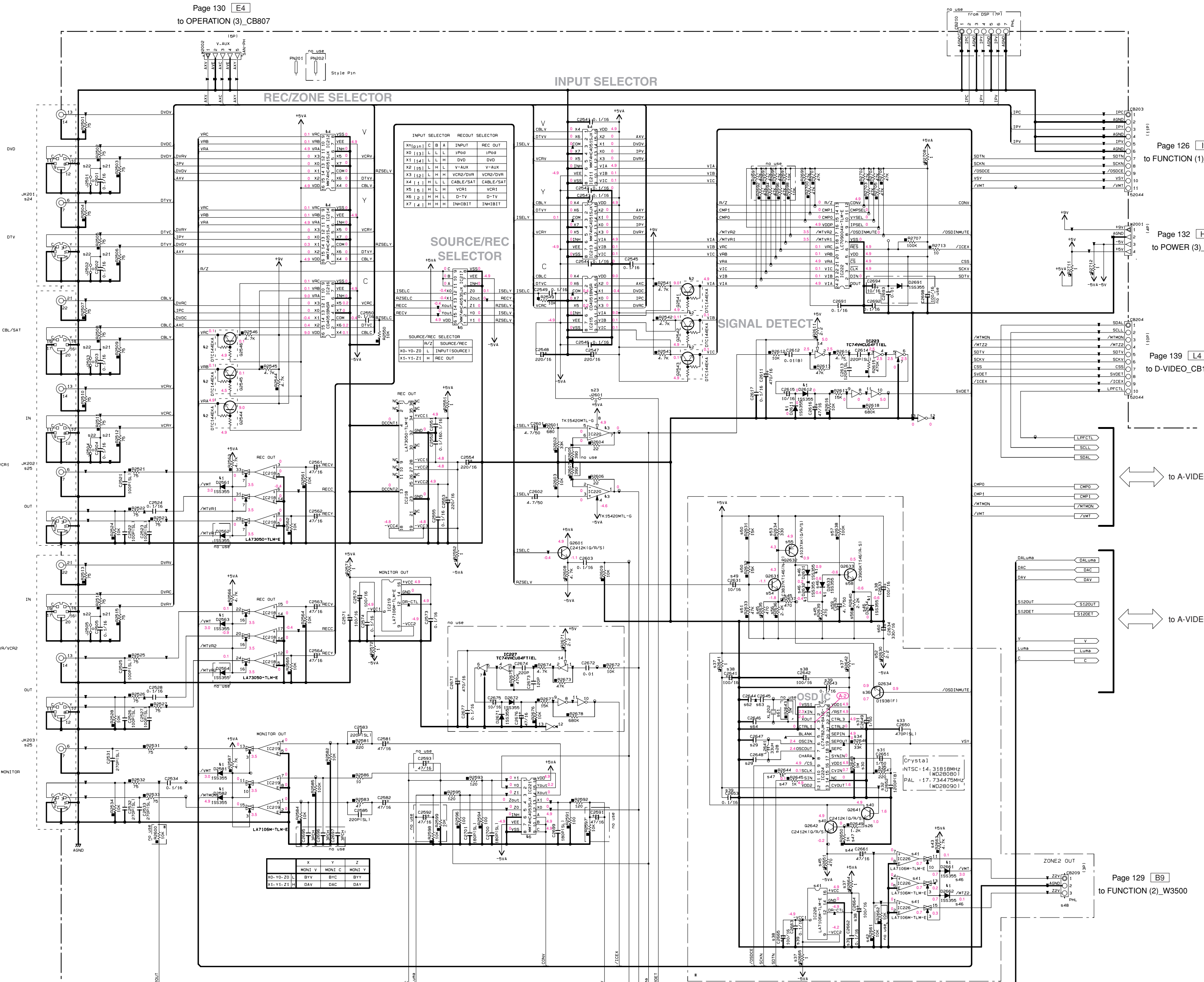
Interchangeable Parts at Manufacture-Stage

MARK	REFERENCE PARTS NUMBER	PARTS NAME
41	D2001-2009, 2061-2062, 2064-2065, 2081-2082, 2611-2612, 2631-2634, 2661-2662	1S5300 MA111
42	D2541-2546	D1C144EXA KRC10-AS-RTK/P
43	IC200	TK15420MTL A00958A02
44	IC211-214	M74HC4051BXX TC74HC4051AF1EL-F.1
45	IC204-205	M74HC4052BXX TC74HC4052AF1EL-F.1
46	IC217-221	M74HC4053BXX TC74HC4053AF1EL-F.1



* All voltages are measured with a 10MΩ/V DC electronic voltmeter.
 * Components having special characteristics are marked △ and must be replaced with parts having specifications equal to those originally installed.
 * Schematic diagram is subject to change without notice.
 ● 電圧は、内部抵抗10MΩの電圧計で測定したものです。
 ● △印のある部品は、安全確保部品を示しています。部品の交換が必要な場合、パーツリストに記載されている部品を使用してください。
 ● 本回路図は標準回路図です。改良のため予告なく変更することがございます。

Page 130 [E4] to OPERATION (3)_CB807



NOTICE (page 11)

RESISTOR PARTS NAME

NO MARK	CARBON FILM RESISTOR
□	CARBON FILM RESISTOR (P10)
△	METAL OXIDE FILM RESISTOR
◇	METAL FILM RESISTOR
○	METAL PLATE RESISTOR
□	CEMENT MOLDED CARBON FILM RESISTOR
○	SEMI-VARIABLE RESISTOR
■	CHIP RESISTOR

CAPACITOR PARTS NAME

□	TANTALUM CAPACITOR
○	DIAMOND ELECTROLYTIC CAPACITOR
●	CERAMIC CAPACITOR
○	POLYESTER FILM CAPACITOR
○	POLYETHYLENE FILM CAPACITOR
○	MICA CAPACITOR
○	POLYPROPYLENE FILM CAPACITOR
○	SEMICONDUCTIVE CERAMIC CAPACITOR
○	POLYPHENYLENE SULFIDE FILM CAPACITOR

Capacitor list table with columns: QTY, LOC, J, U-C, R-X, T-A, B-D, L-E

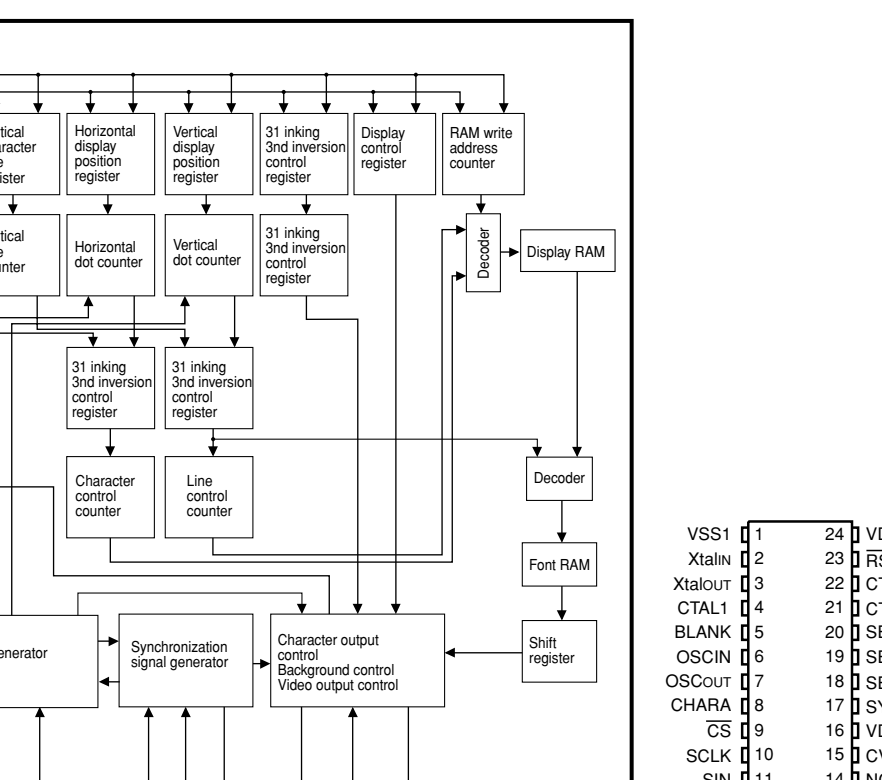
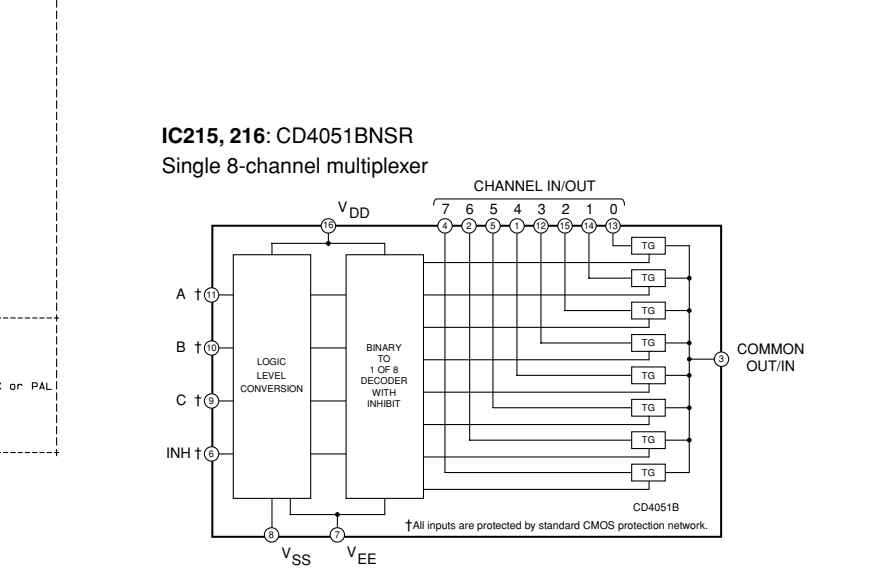
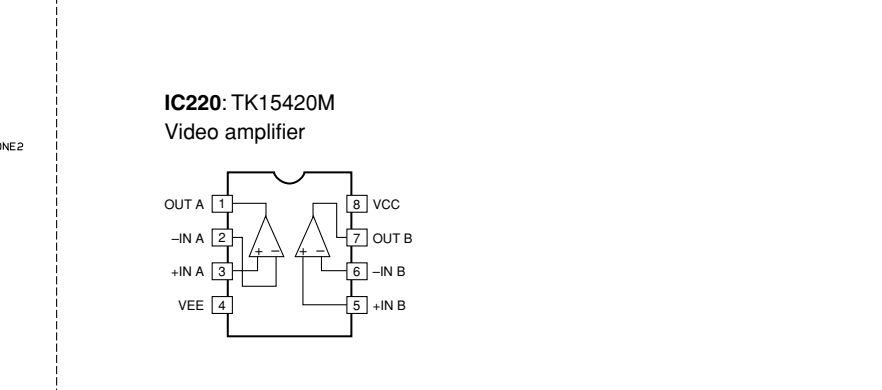
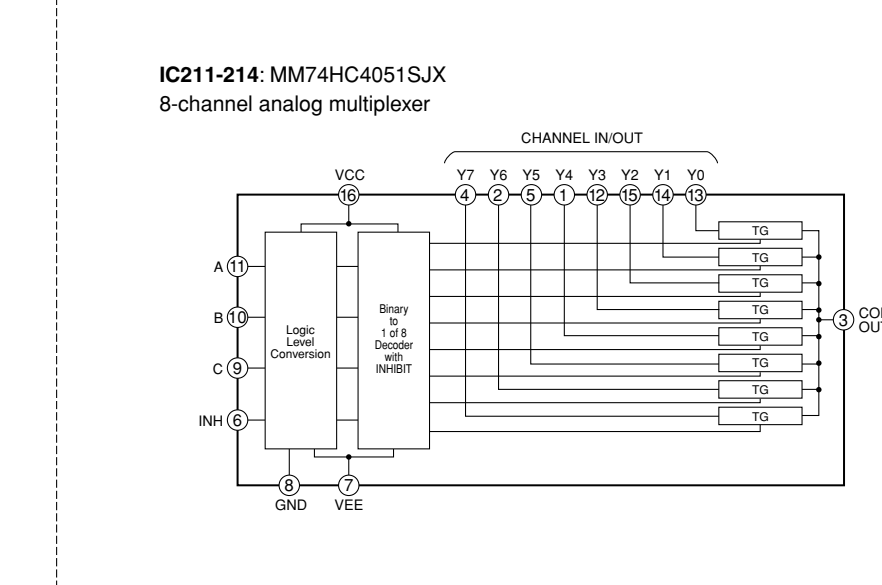
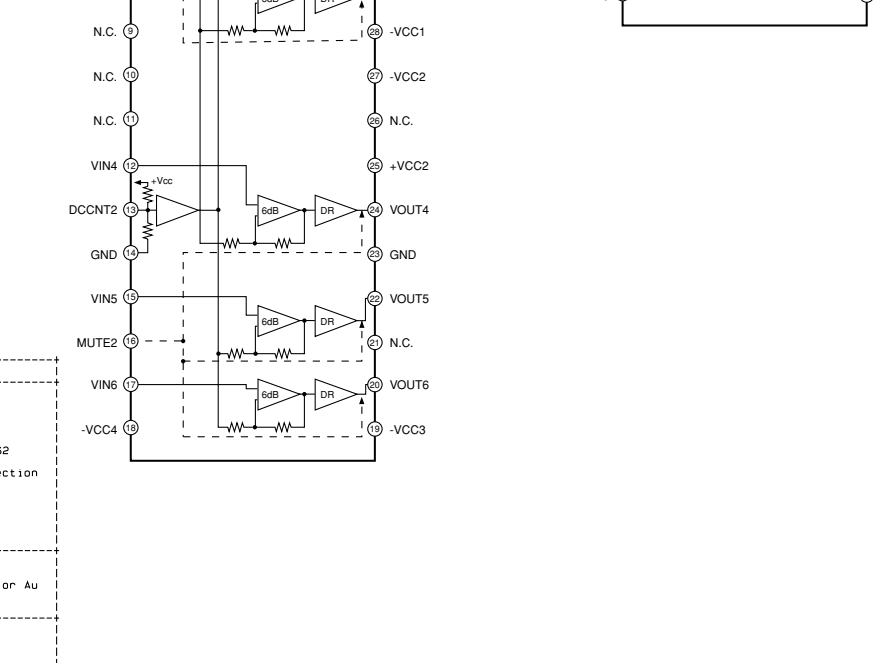
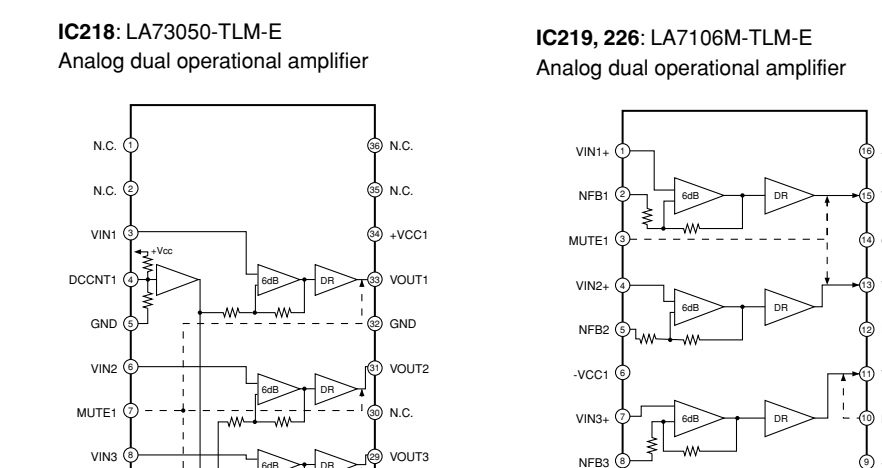
Resistor list table with columns: QTY, LOC, J, U-C, R-X, T-A, B-D, L-E

Resistor list table with columns: QTY, LOC, J, U-C, R-X, T-A, B-D, L-E

Resistor list table with columns: QTY, LOC, J, U-C, R-X, T-A, B-D, L-E

Resistor list table with columns: QTY, LOC, J, U-C, R-X, T-A, B-D, L-E

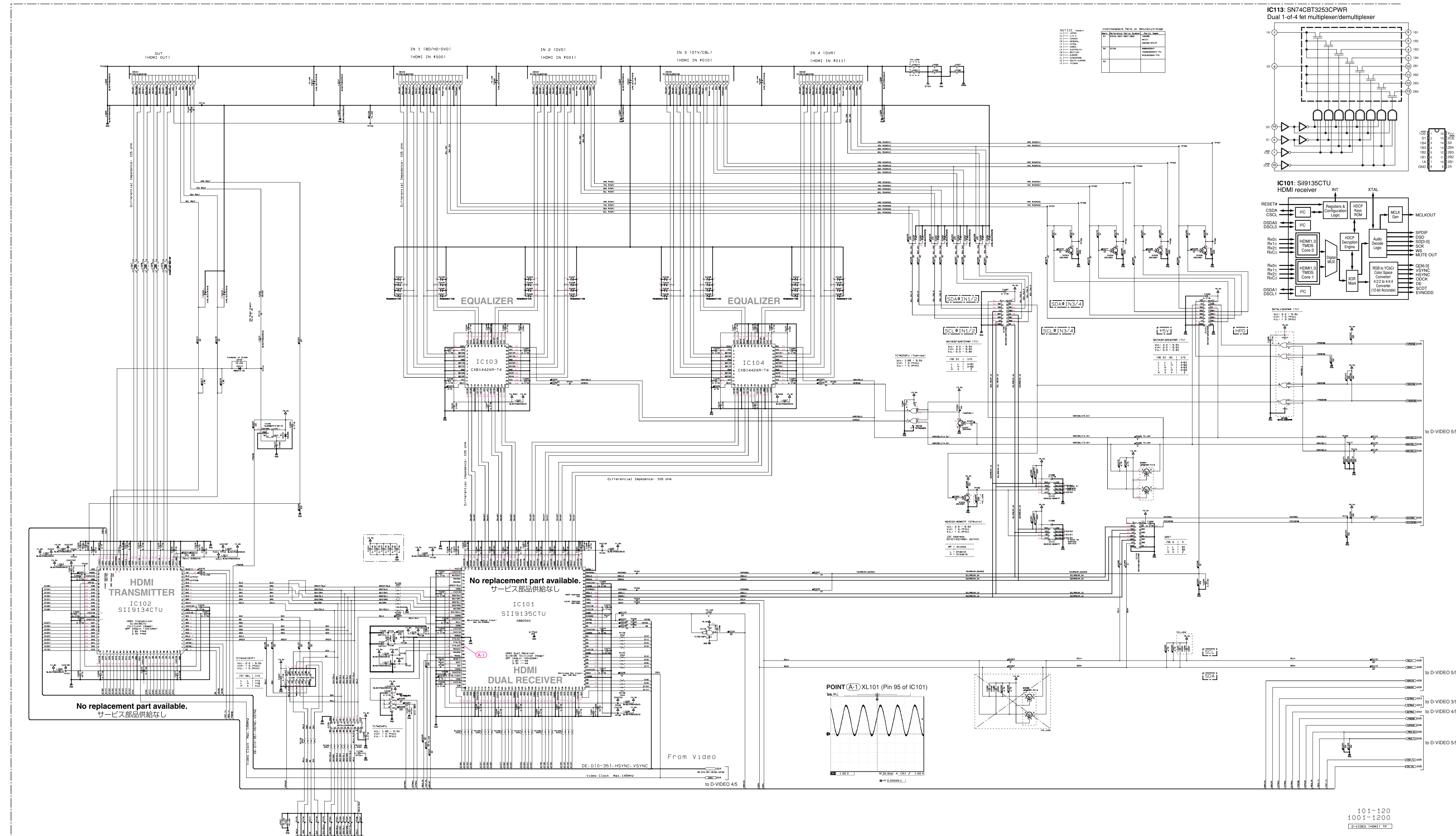
Resistor list table with columns: QTY, LOC, J, U-C, R-X, T-A, B-D, L-E



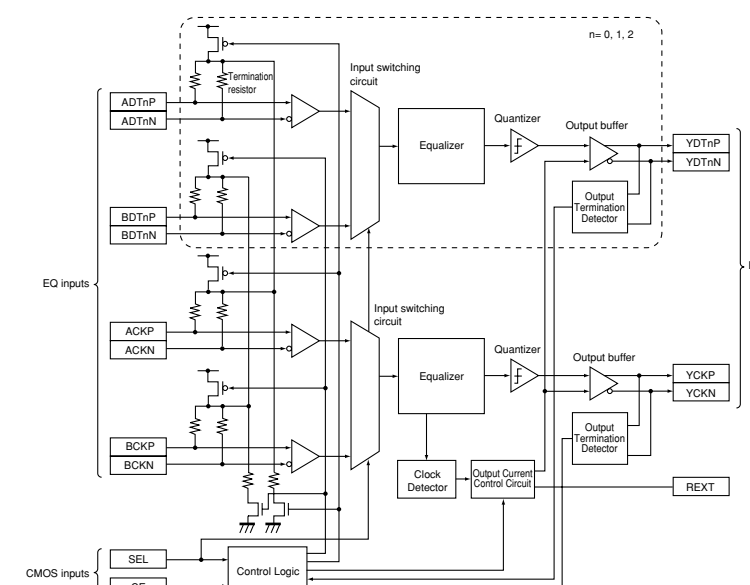
★ All voltages are measured with a 10MΩ/V DC electronic voltmeter.
 ★ Components having special characteristics are marked with a triangle and must be replaced with parts having specifications equal to those originally installed.
 ★ Schematic diagram is subject to change without notice.

● 電圧は、内部抵抗10MΩの電圧計で測定したものです。
 ● 三角形印のある部品は、安全性確保部品を示しています。部品の交換が必要な場合、パーツリストに記載されている部品を使用してください。
 ● 本回路図は標準回路図です。改良のため予告なく変更することがございます。

D-VIDEO 1/5

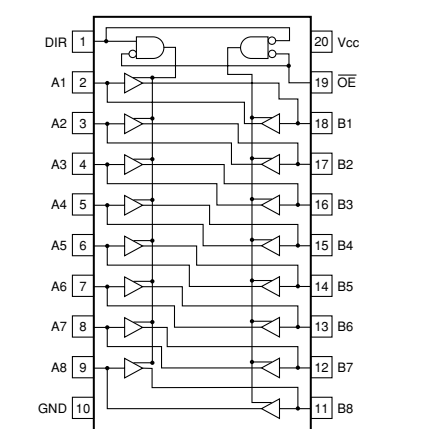


IC103, 104: CXB1442AR-T4 Cable equalizer with 2-system switching function

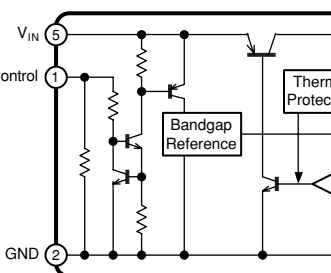


Page 141 [C2] to FL (2)_CB953

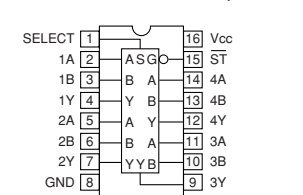
IC105: SN74LVC245APWR Octal bus transceivers with 3-state outputs



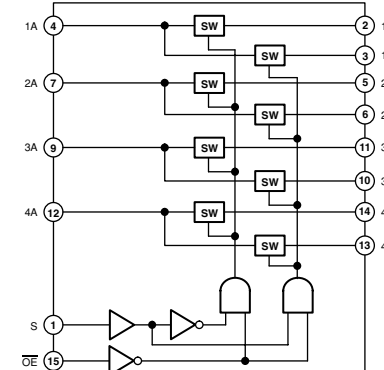
IC106: NJM2867F3-05 Low dropout voltage regulator



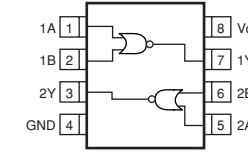
IC108: TC74VHC157FT Quad 2-channel multiplexer



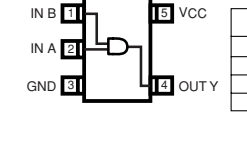
IC109, 112: SN74CBT3257CPWR 4-bit 1-of-2 fct multiplexer/demultiplexer



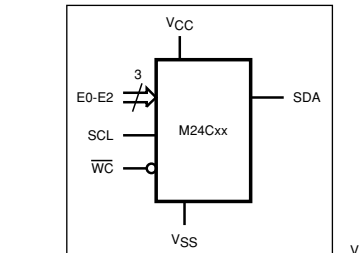
IC114: TC7WZ02FK 2 input nor gate



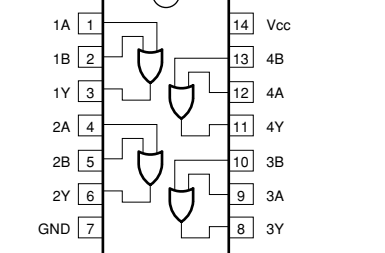
IC116: TC7SET08FU 2 input AND gate



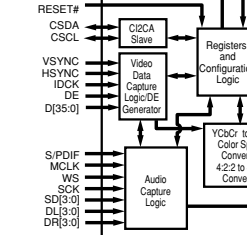
IC110, 111: M24C02-WDWP6TP 2 K-bit serial I2C bus EEPROM



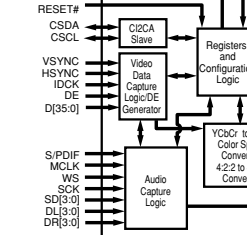
IC115: SN74LV32APWR Quad 2-input positive-OR gates



IC102: SII9134CTU HDMI transmitter



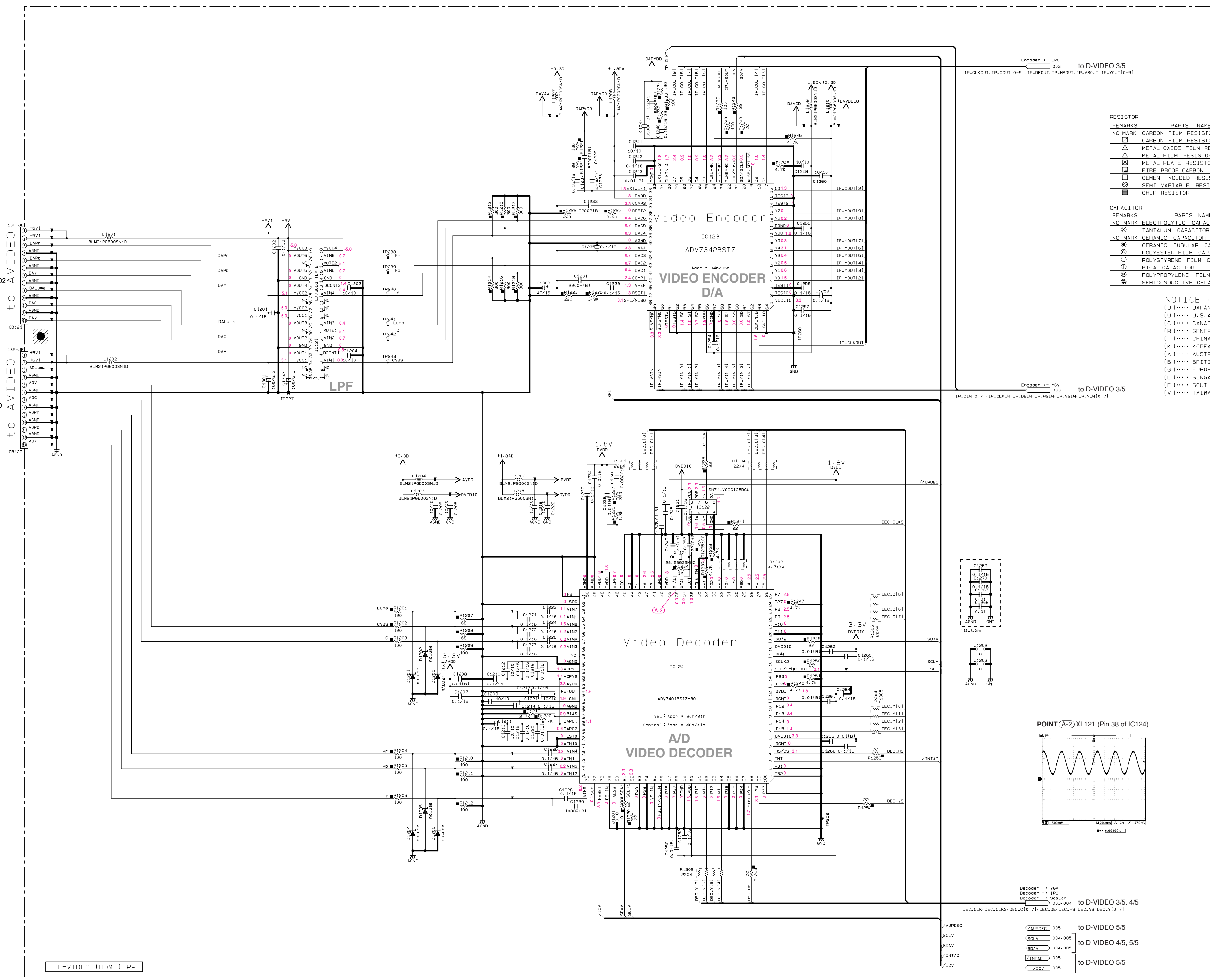
IC101: SII9135CTU HDMI receiver



★ All voltages are measured with a 10MΩ/V DC electronic voltmeter.
 ★ Components having special characteristics are marked with a triangle and must be replaced with parts having specifications equal to those originally installed.
 ★ Schematic diagram is subject to change without notice.
 ● 電圧は、内部抵抗10MΩの電圧計で測定したものです。
 ● 三角形のある部品は、安全性確保部品を示しています。部品の交換が必要な場合、パーツリストに記載されている部品を使用してください。
 ● 本回路図は標準回路図です。改良のため予告なく変更することがございます。

Page 133 [G1] to A-VIDEO_CB202

Page 133 [F1] to A-VIDEO_CB201



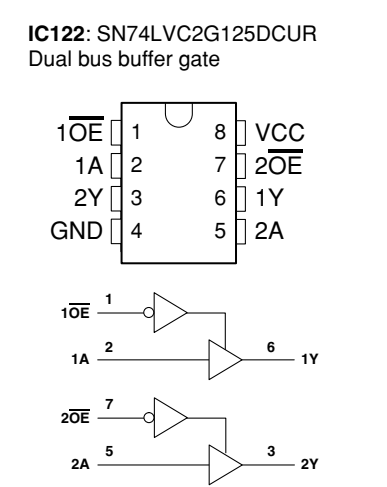
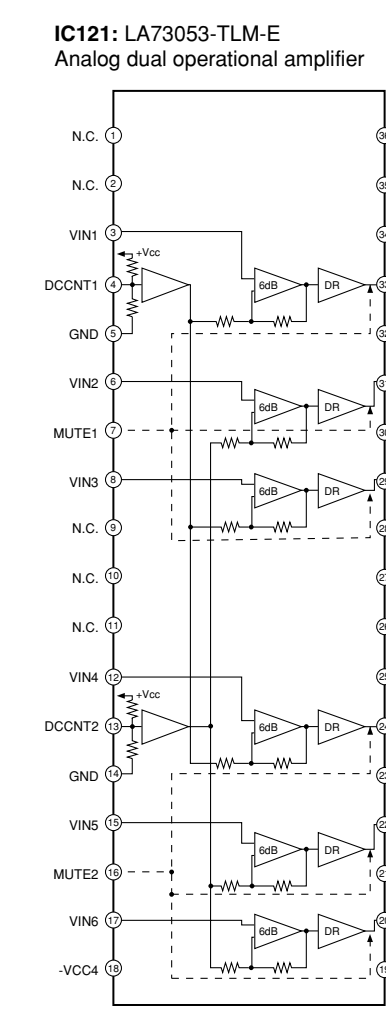
RESISTOR

REMARKS	PARTS NAME
NO MARK	CARBON FILM RESISTOR (P=5)
⊙	CARBON FILM RESISTOR (P=10)
△	METAL OXIDE FILM RESISTOR
□	METAL FILM RESISTOR
⊠	METAL PLATE RESISTOR
⊞	FINE PROOF CARBON FILM RESISTOR
⊟	CEMENT MOLDED RESISTOR
⊠	SEMI-VARIABLE RESISTOR
⊞	CHIP RESISTOR

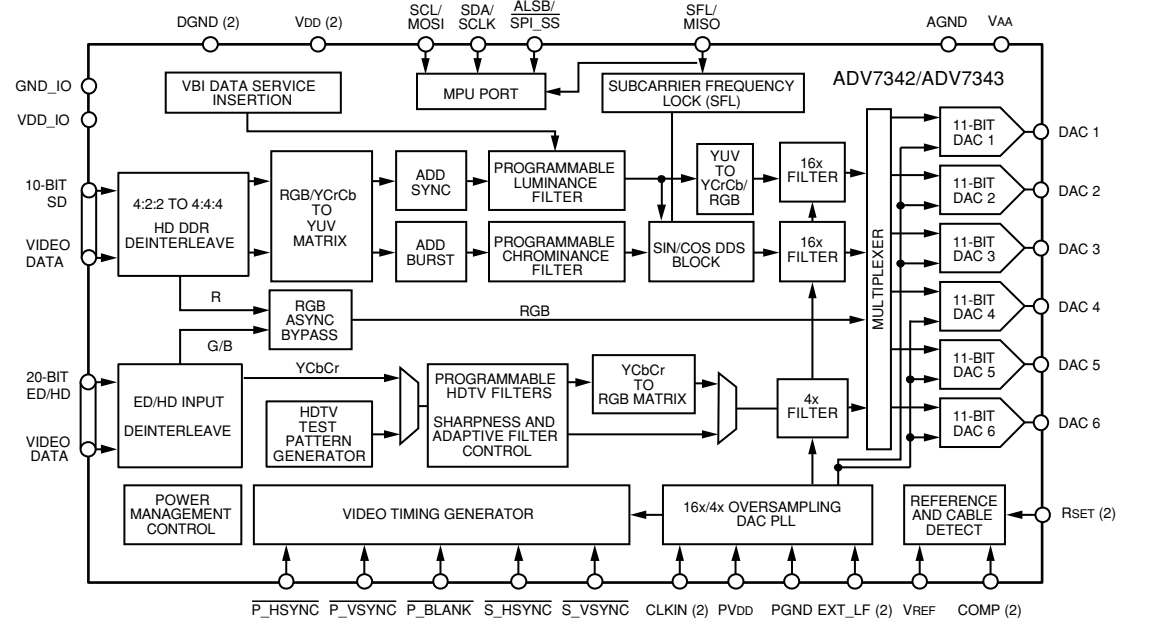
CAPACITOR

REMARKS	PARTS NAME
NO MARK	ELECTROLYTIC CAPACITOR
⊙	TANTALUM CAPACITOR
NO MARK	CERAMIC CAPACITOR
⊙	POLYESTER FILM CAPACITOR
⊙	POLYSTYRENE FILM CAPACITOR
⊙	MICA CAPACITOR
⊙	POLYPROPYLENE FILM CAPACITOR
⊙	SEMICONDUCTIVE CERAMIC CAPACITOR

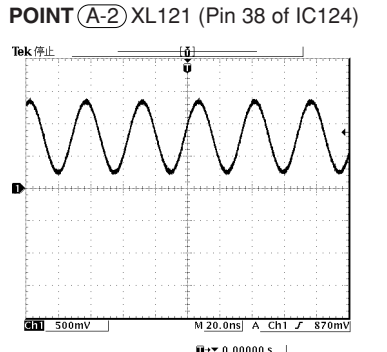
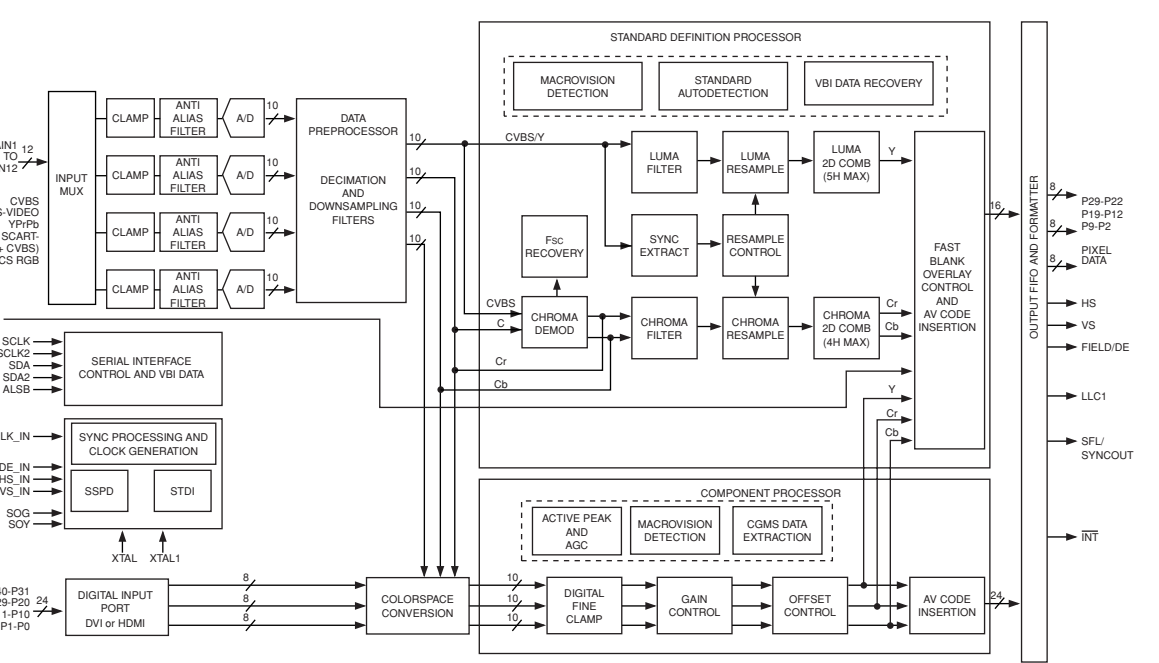
NOTICE (mode1)
 (J)..... JAPAN
 (U)..... U.S.A
 (C)..... CANADA
 (R)..... GENERAL
 (T)..... CHINA
 (K)..... KOREA
 (A)..... AUSTRALIA
 (B)..... BRITISH
 (G)..... EUROPE
 (L)..... SINGAPORE
 (E)..... SOUTH EUROPE
 (V)..... TAIWAN



IC123: ADV7342BSTZ
Multiformat video encoder



IC124: ADV7401BSTZ-80
Multiformat SDTV/HDTV video decoder and RGB graphics digitizer



Decoder -> YUV
 Decoder -> ITC
 Decoder -> SCA1P
 Decoder -> SCA1P
 Decoder -> SCA1P
 Decoder -> SCA1P

121-140
1201-1400
Video Encoder
Video Decoder

* All voltages are measured with a 10MΩ/V DC electronic voltmeter.
 * Components having special characteristics are marked with a triangle, and must be replaced with parts having specifications equal to those originally installed.
 * Schematic diagram is subject to change without notice.
 ●電圧は、内部抵抗10MΩの電圧計で測定したものです。
 ●△印のある部品は、安全性確保部品を示しています。部品の交換が必要な場合、パーツリストに記載されている部品を使用してください。
 ●本回路図は標準回路図です。改良のため予告なく変更することがございます。

D-VIDEO 3/5

to D-VIDEO 2/5

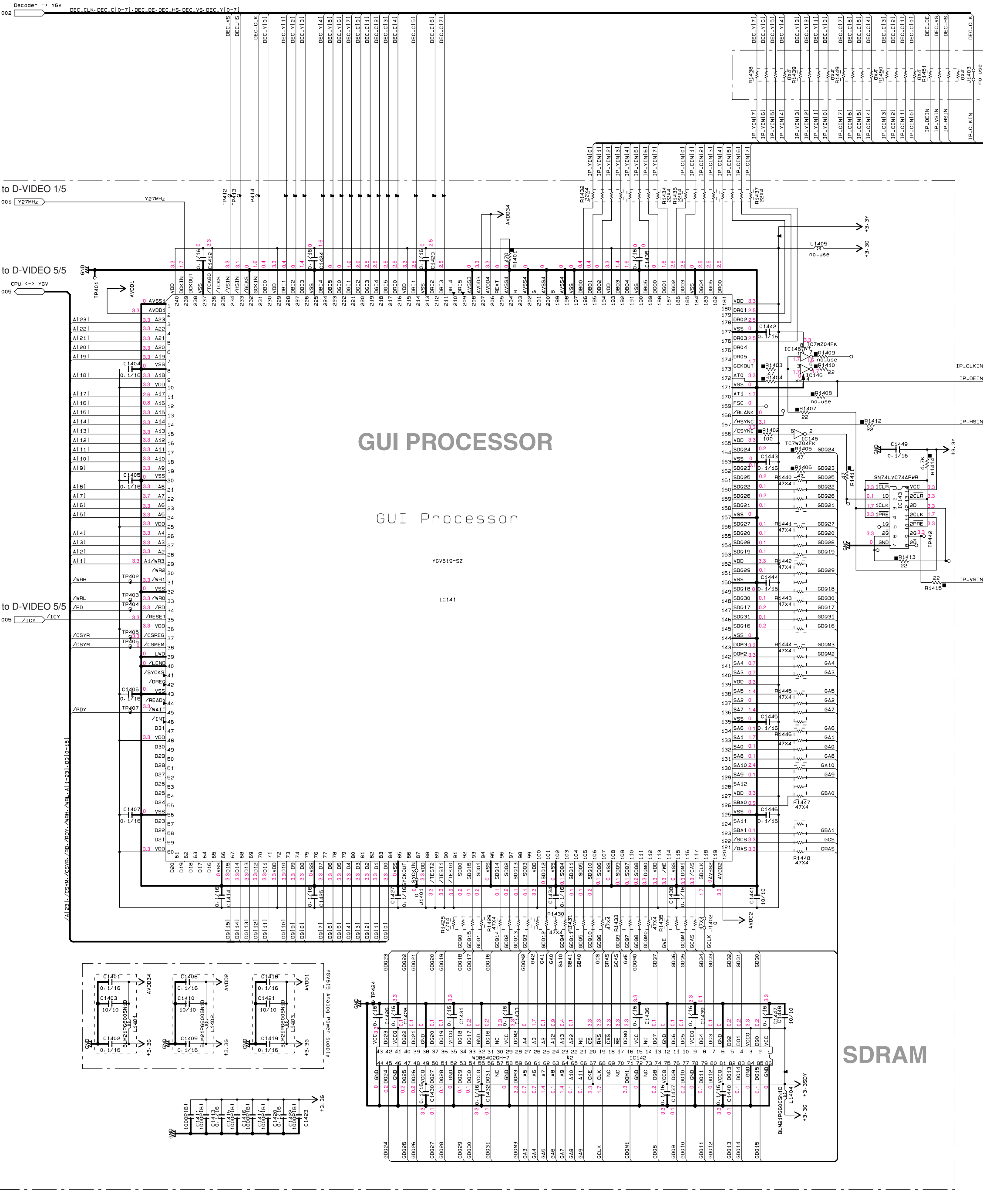
to D-VIDEO 1/5

to D-VIDEO 5/5

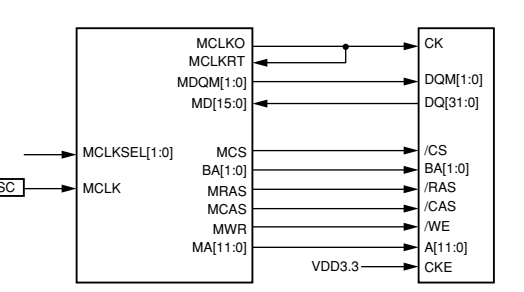
to D-VIDEO 5/5

to D-VIDEO 5/5

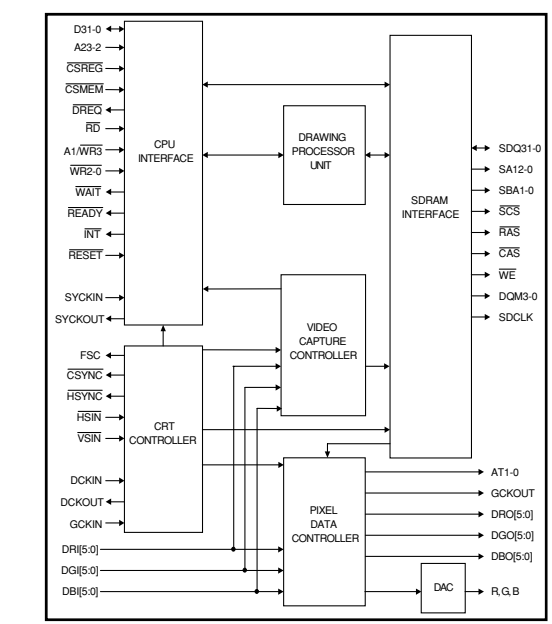
to D-VIDEO 5/5



IC145: IP00C772 Color image enlargement/reduction LSI



IC141: YGV619 OSD display controller



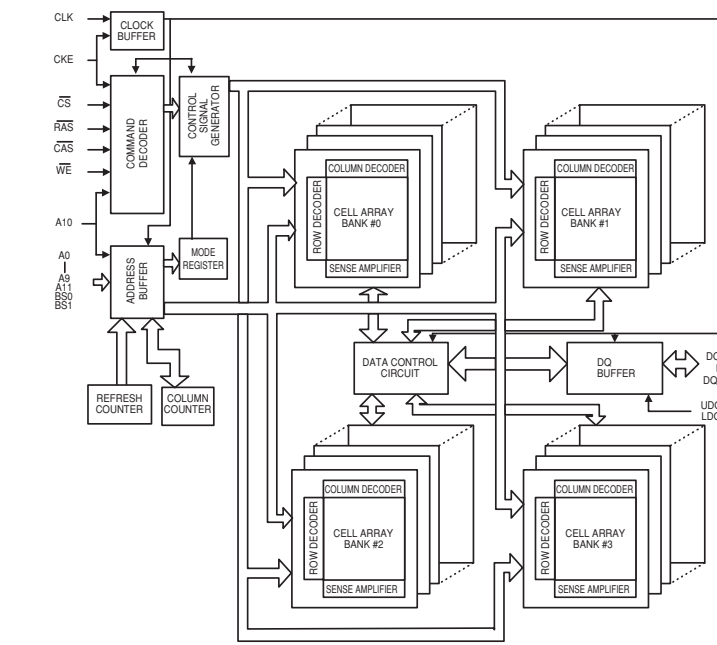
I/P Converter IP00C772 IC145 DE-INTERLACER

REMARKS	PARTS NAME
NO MARK	CARBON FILM RESISTOR (D±M)
NO MARK	CARBON FILM RESISTOR (D±D)
△	METAL OXIDE FILM RESISTOR
□	METAL PLATE RESISTOR
■	FINE PROOF CARBON FILM RESISTOR
□	CEMENT MOLDED RESISTOR
■	SEMI-VARIABLE RESISTOR
■	CHIP RESISTOR

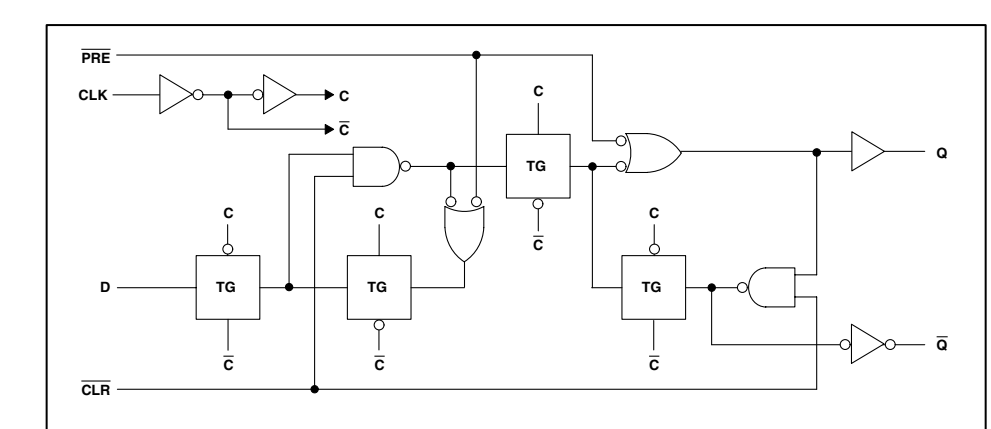
REMARKS	PARTS NAME
NO MARK	ELECTROLYTIC CAPACITOR
⊖	TANTALUM CAPACITOR
⊕	CERAMIC TUBULAR CAPACITOR
⊙	POLYESTER FILM CAPACITOR
○	POLYSTYRENE FILM CAPACITOR
⊖	MICA CAPACITOR
⊙	POLYPROPYLENE FILM CAPACITOR
⊕	SEMICONDUCTIVE CERAMIC CAPACITOR
⊖	POLYPROPYLENE SULFIDE FILM CAPACITOR

NOTICE (Note1)
 (J)..... JAPAN
 (U)..... U.S.A.
 (C)..... CANADA
 (R)..... GENERAL
 (T)..... CHINA
 (K)..... KOREA
 (A)..... AUSTRALIA
 (B)..... BRITISH
 (G)..... EUROPE
 (L)..... SINGAPORE
 (E)..... SOUTH EUROPE
 (V)..... TAIWAN

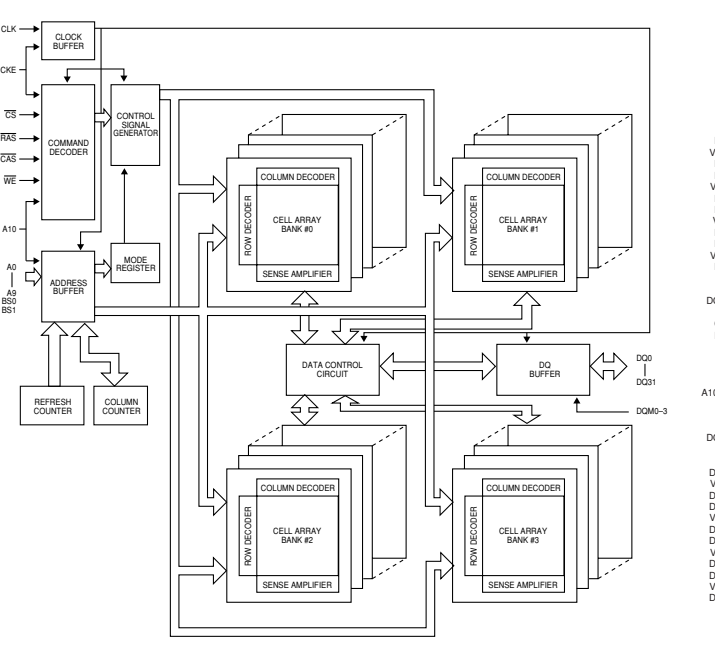
IC144: W9864G6GH-7 64 M x 4 banks SDRAM



IC143: SN74LV42APWR Dual positive-edge-triggered D-type flip-flop



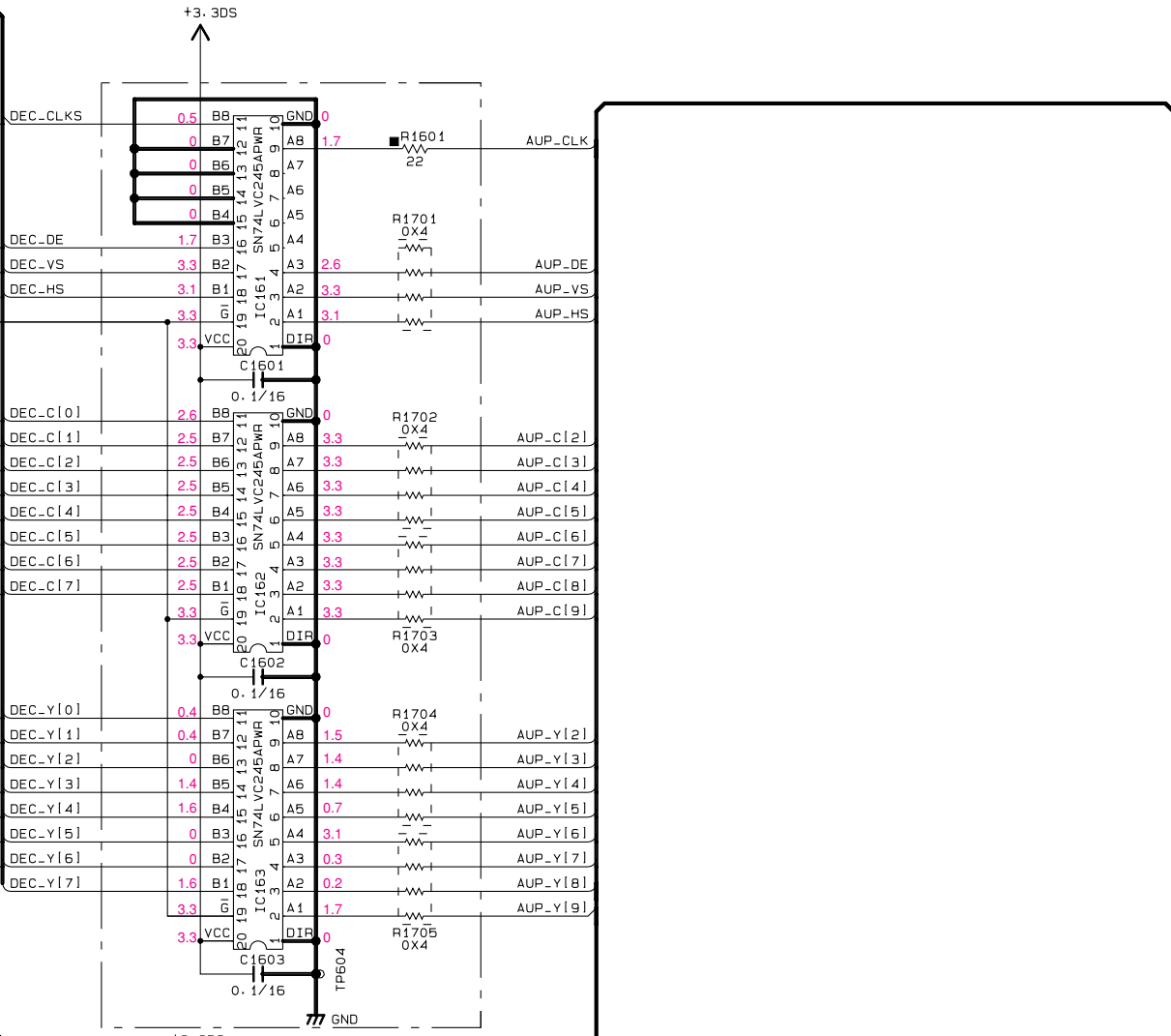
IC142: W9864G2GH-7 128/64 M SDRAM



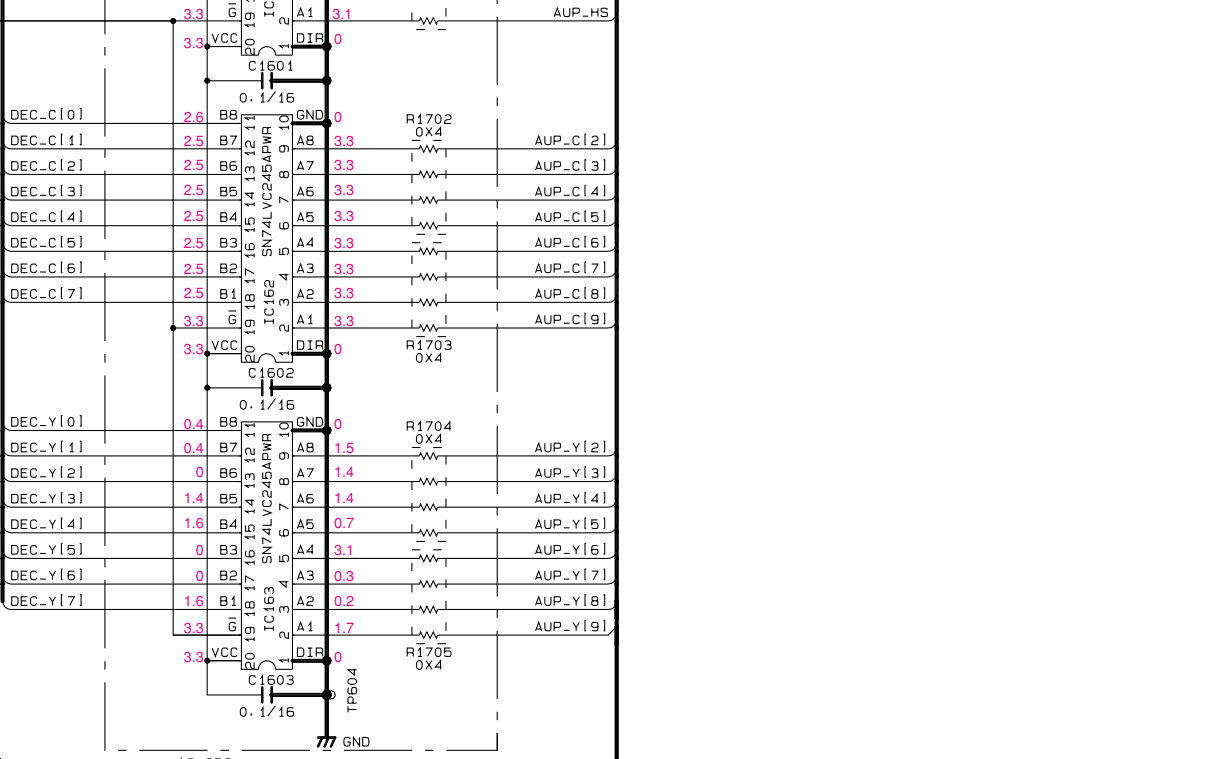
★ All voltages are measured with a 10MΩ/V DC electronic voltmeter.
 ★ Components having special characteristics are marked with a triangle and must be replaced with parts having specifications equal to those originally installed.
 ★ Schematic diagram is subject to change without notice.
 ● 電圧は、内部抵抗10MΩの電圧計で測定したものです。
 ● 印のある部品は、安全性確保部品を示しています。部品の交換が必要な場合、パーツリストに記載されている部品を使用してください。
 ● 本回路図は標準回路図です。改良のため予告なく変更することがございます。

D-VIDEO 4/5

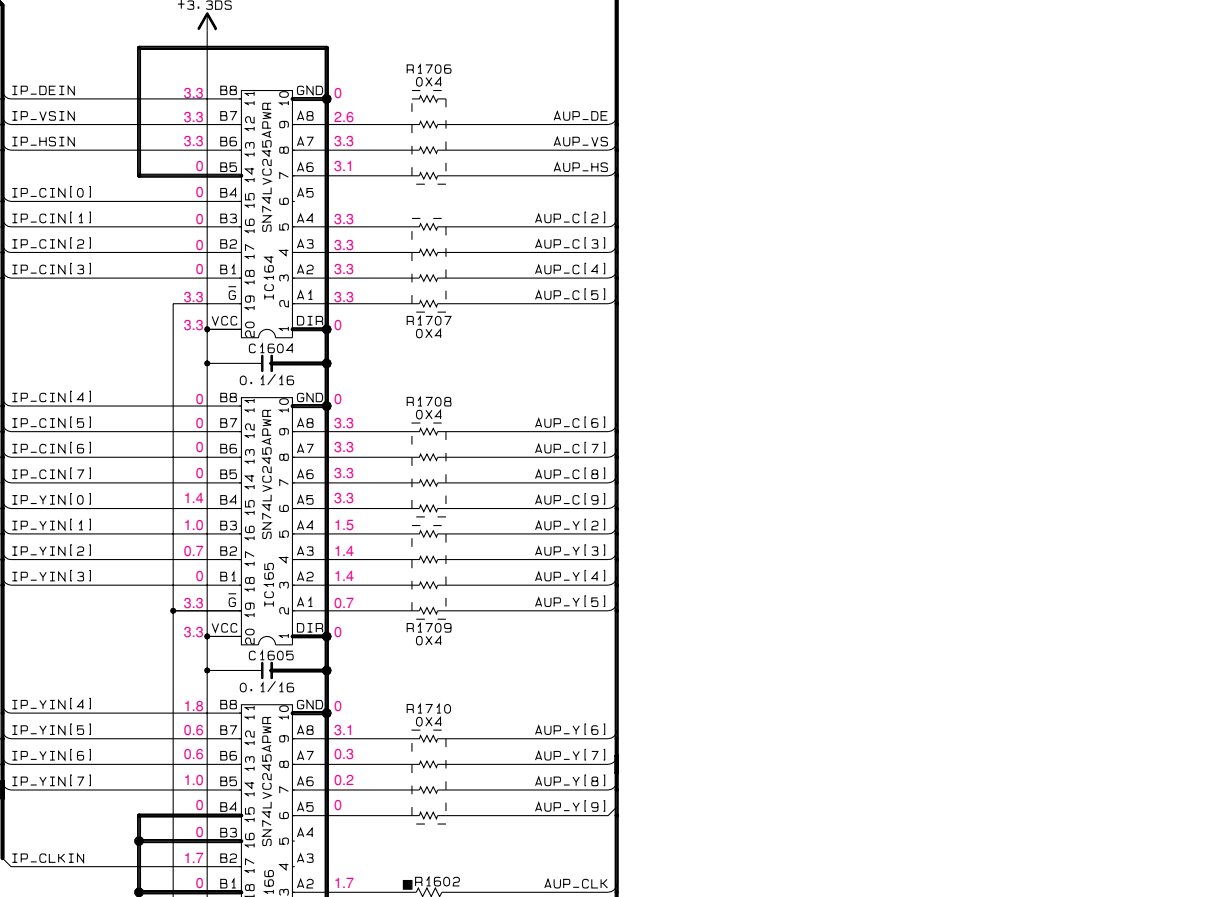
Decoder -> Scaler
to D-VIDEO 2/5
DEC_CLKS-DEC_C10-71-DEC_DE-DEC_HS-DEC_VS-DEC_Y10-71



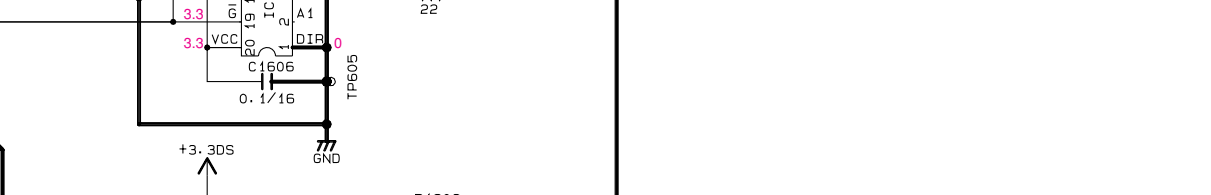
to D-VIDEO 5/5
YAUDEC



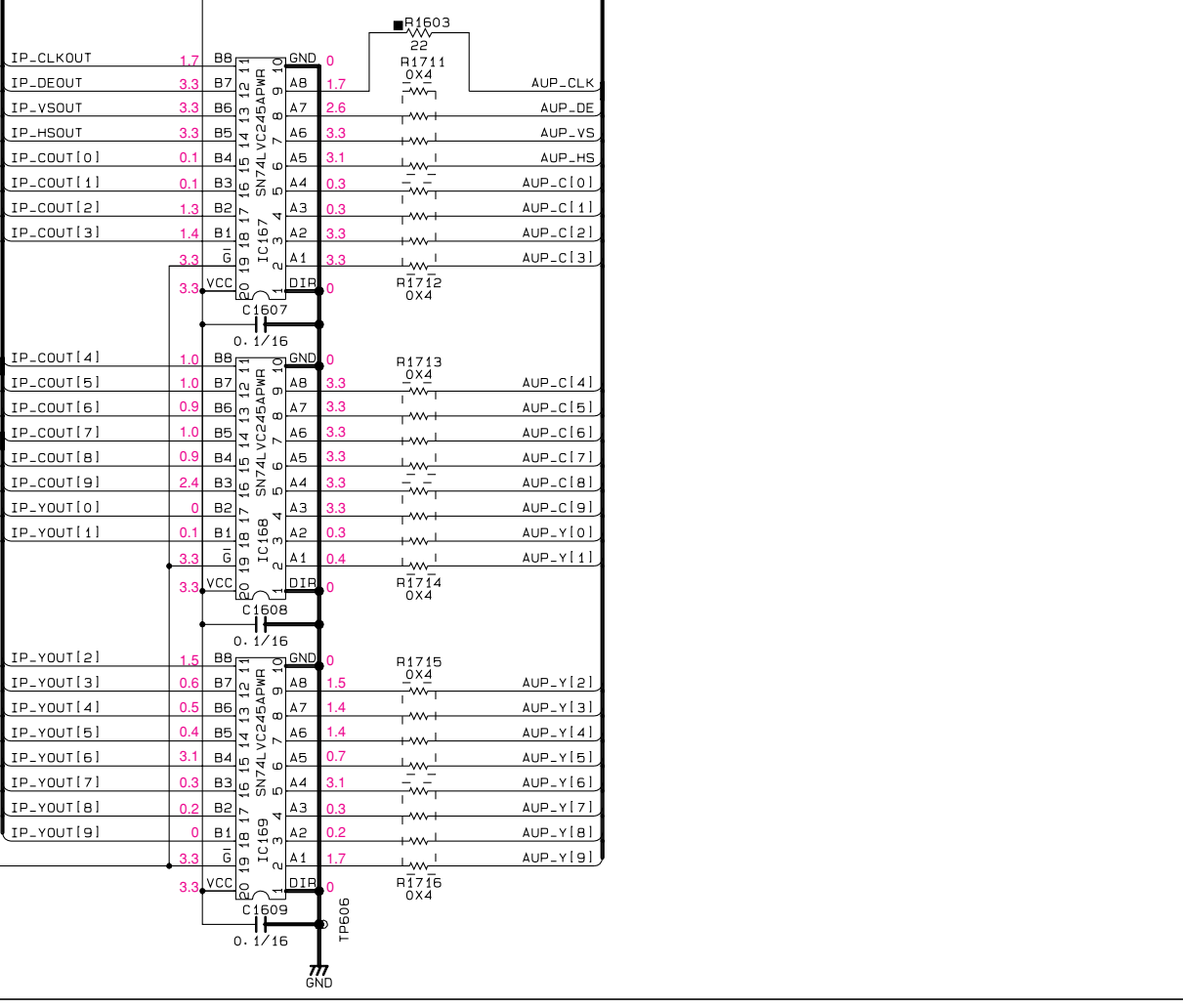
YGV -> Scaler
to D-VIDEO 3/5
IP_C1N0-71-IP_CLKIN-IP_DEIN-IP_HSIN-IP_VSIN-IP_VIN0-71



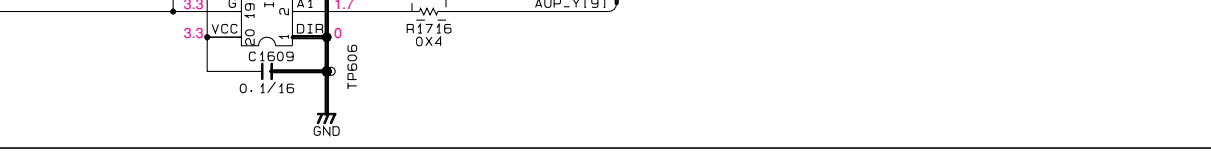
to D-VIDEO 5/5
YAUYPV



IPC -> Scaler
to D-VIDEO 3/5
IP_CLKOUT-IP_COUT0-91-IP_DEOUT-IP_HSOUT-IP_VSOUT-IP_VOUT0-91



to D-VIDEO 5/5
YAUIPC



to D-VIDEO 1/5
S27Mhz



to D-VIDEO 5/5
YAUIPS

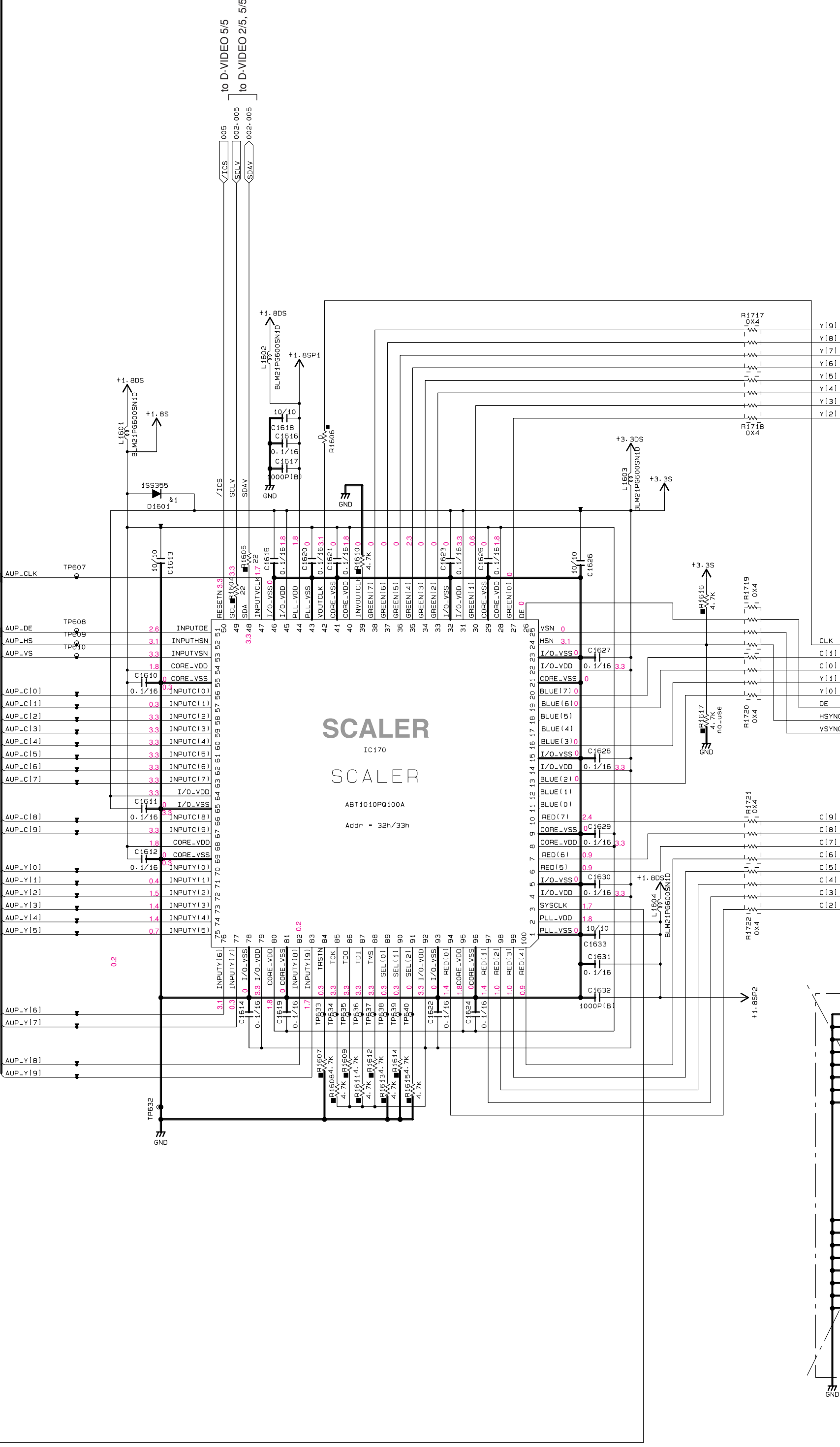


All voltages are measured with a 10M Ω /V DC electronic voltmeter.

Components having special characteristics are marked with a triangle and must be replaced with parts having specifications equal to those originally installed.

Schematic diagram is subject to change without notice.

電圧は、内部抵抗10M Ω の電圧計で測定したものです。
● 1印のある部品は、安全性確保部品を示しています。部品の交換が必要な場合、パーツリストに記載されている部品を使用してください。
● 本回路図は標準回路図です。改良のため予告なく変更することがございます。



SCALER
SCALER
IC170
ABT1010PQ100A
Add* = 32n/33n

NOTICE (model)

J JAPAN
U U.S.A
C CANADA
R GENERAL
T CHINA
K KOREA
A AUSTRALIA
B BRITISH
E EUROPE
S SINGAPORE
I SOUTH EUROPE
V TAIWAN

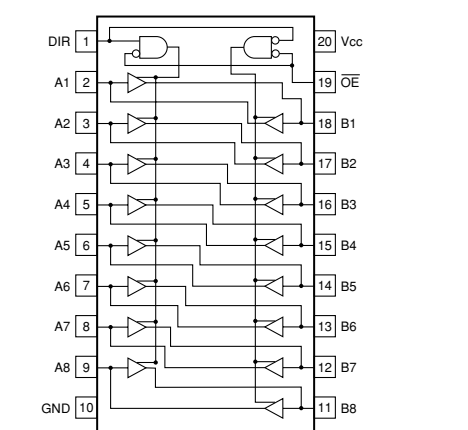
RESISTOR

REMARKS	PARTS_NAME
NO MARK	CARBON FILM RESISTOR (DHS)
□	CARBON FILM RESISTOR (D-10)
△	METAL OXIDE FILM RESISTOR
▲	METAL FILM RESISTOR
○	METAL PLATE RESISTOR
■	FIRE PROOF CARBON FILM RESISTOR
□	CEMENT MOLDED RESISTOR
○	SEMI-VARIABLE RESISTOR
■	CHIP RESISTOR

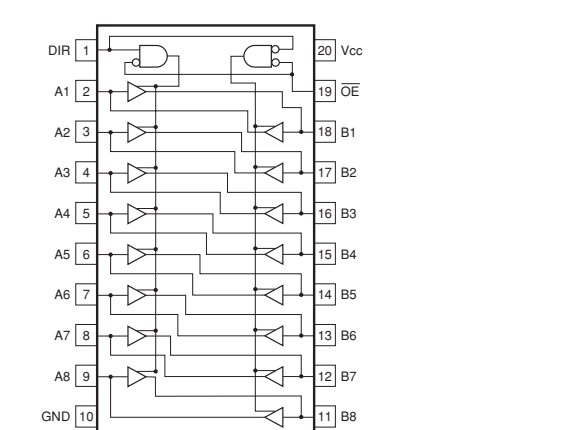
CAPACITOR

REMARKS	PARTS_NAME
NO MARK	ELECTROLYTIC CAPACITOR
○	TANTALUM CAPACITOR
□	CERAMIC CAPACITOR
●	CERAMIC TUBULAR CAPACITOR
○	POLYESTER FILM CAPACITOR
○	POLYETHYLENE FILM CAPACITOR
○	MICA CAPACITOR
○	POLYPROPYLENE FILM CAPACITOR
○	SEMICONDUCTIVE CERAMIC CAPACITOR
○	POLYETHYLENE SULFIDE FILM CAPACITOR

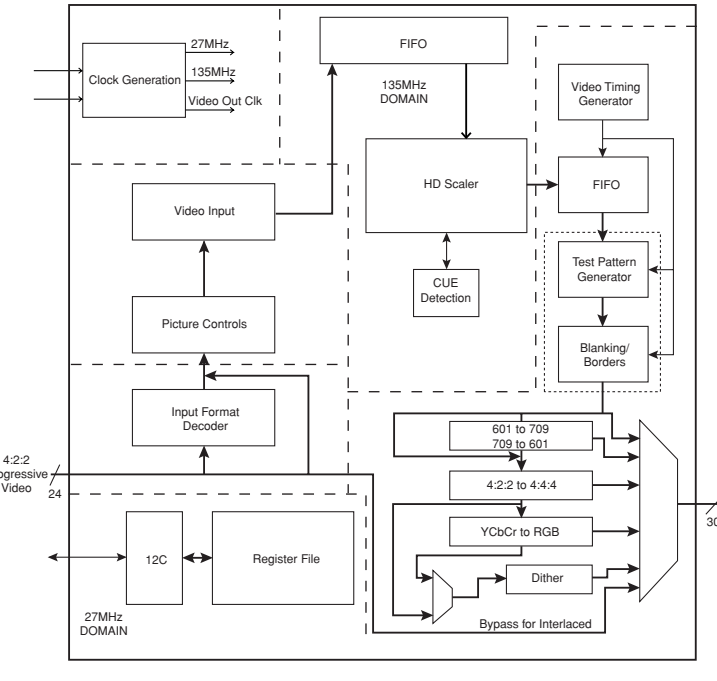
161-169: SN74LVC245APWR
Octal bus transceivers with 3-state outputs



IC171-173: SN74LVTH245APW
3.3 V ABT octal bus transceivers with 3-state outputs



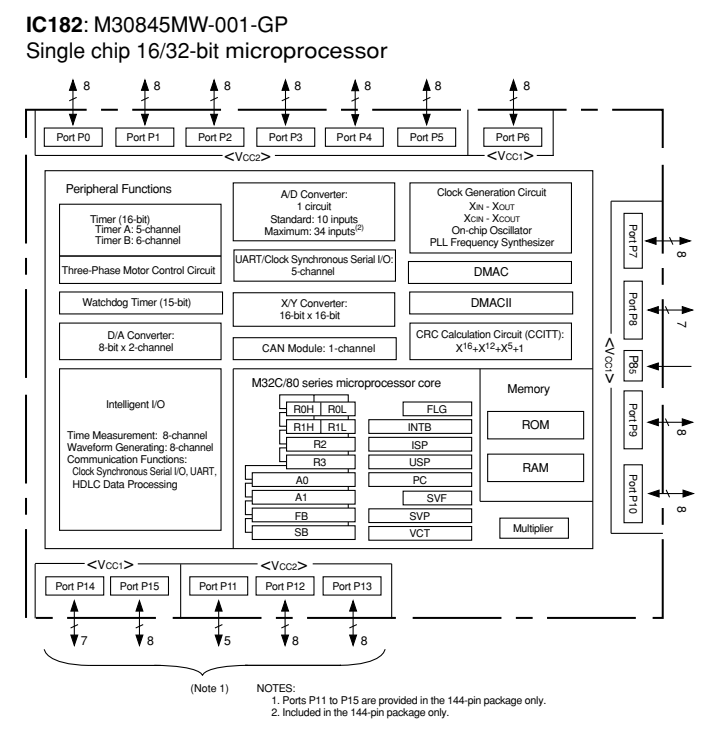
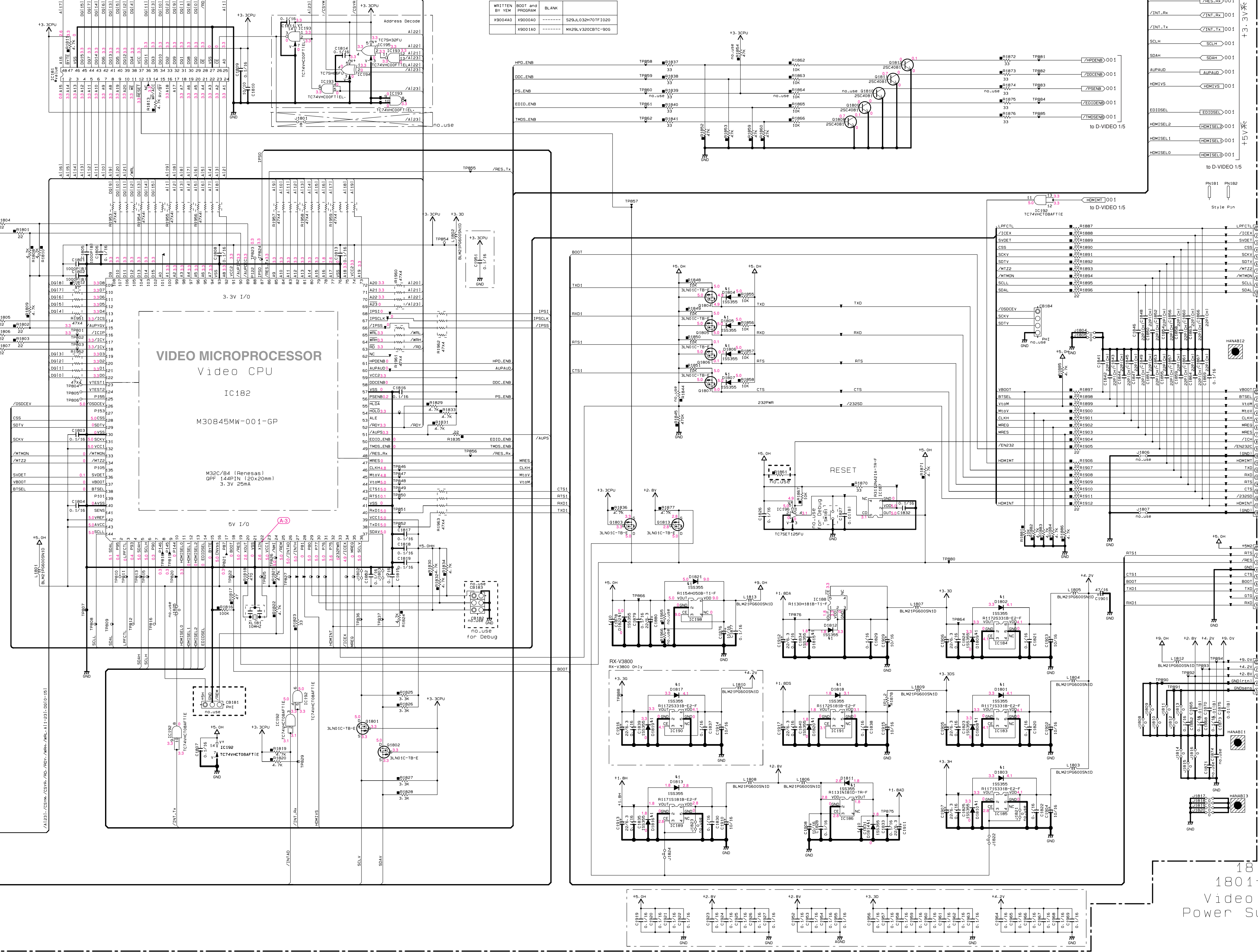
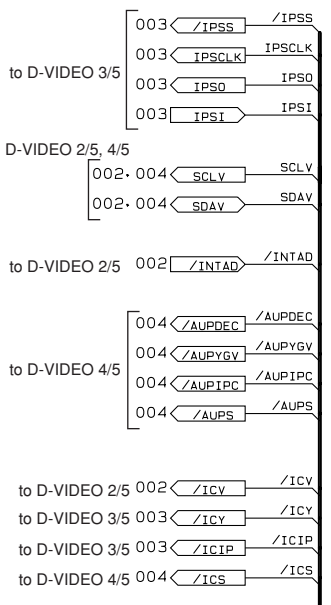
IC170: ABT1010PQ100A
High definition video scaler device



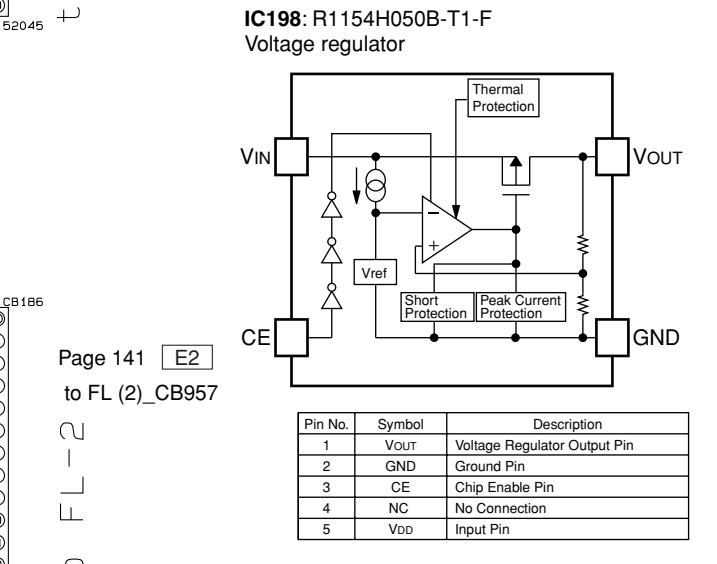
161-180
1601-1800

Scaler

D-VIDEO 5/5



Page 134 [14] to A-VIDEO_CB204



Page 141 [E2] to FL-2_CB957

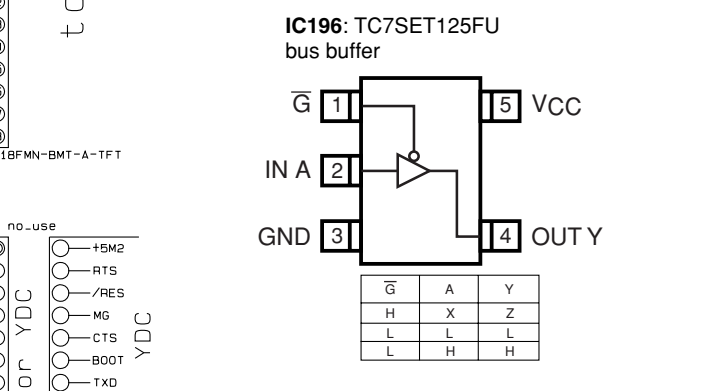


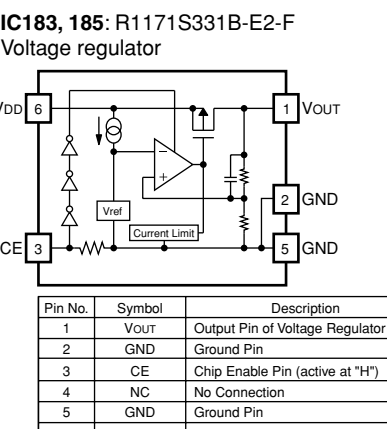
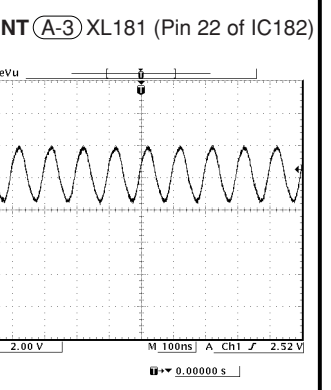
Table with 5 columns: Pin No., Symbol, Description, and a legend for resistor types (NO MARK, CARBON FILM, METAL FILM, etc.).

Page 132 [H3] to POWER(3)_W40

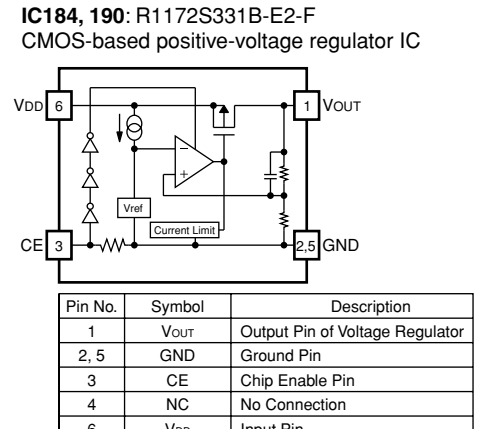
Table with 5 columns: CAPACITOR, REMARKS, PARTS NAME, and a legend for capacitor types (NO MARK, ELECTROLYTIC, TANTALUM, etc.).

NOTICE (Note1) (J) JAPAN (U) U.S.A. (C) CANADA (G) GENERAL (I) CHINA (K) KOREA (A) AUSTRALIA (B) BRITISH (E) EUROPE (L) SINGAPORE (S) SOUTH EUROPE (V) TAIWAN

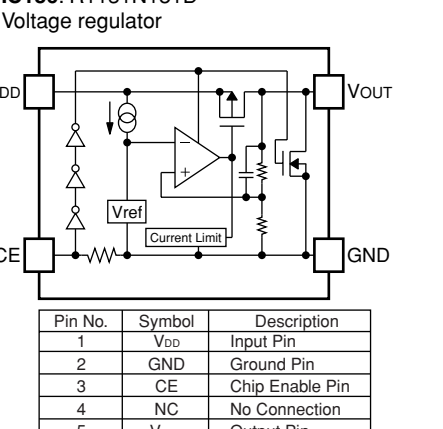
181-199 1801-1999 Video uCom Power Supply



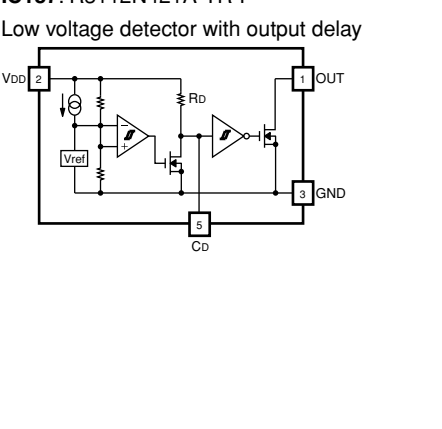
Pin No. Symbol Description table for IC183, 185.



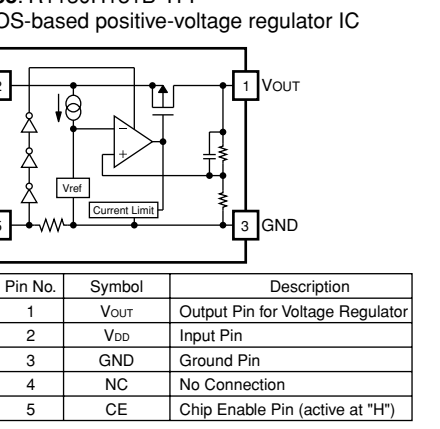
Pin No. Symbol Description table for IC184, 190.



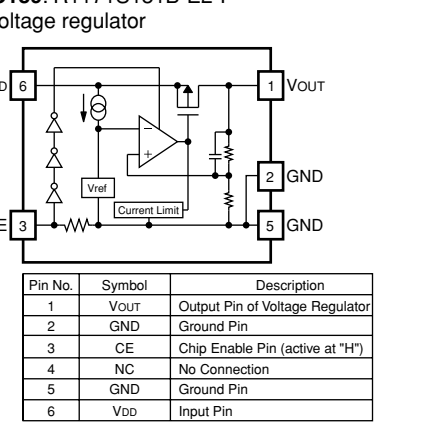
Pin No. Symbol Description table for IC186.



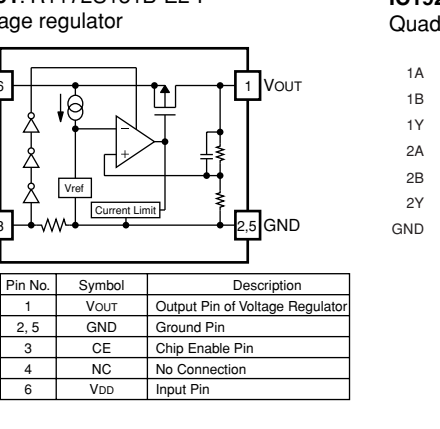
Pin No. Symbol Description table for IC187.



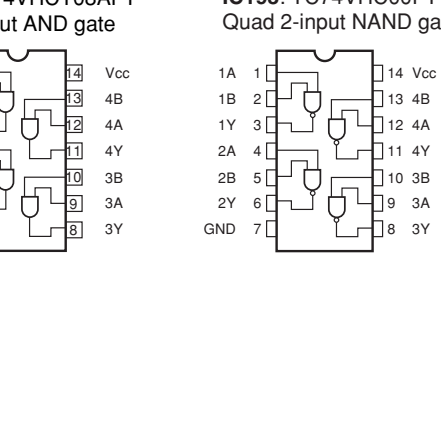
Pin No. Symbol Description table for IC188.



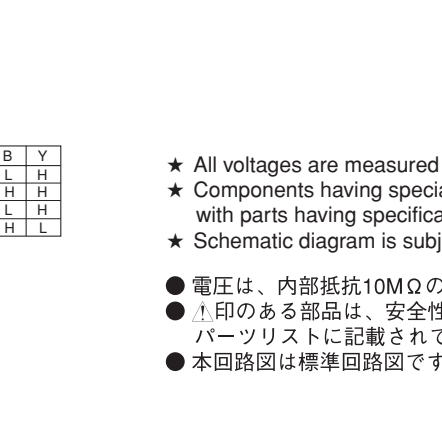
Pin No. Symbol Description table for IC189.



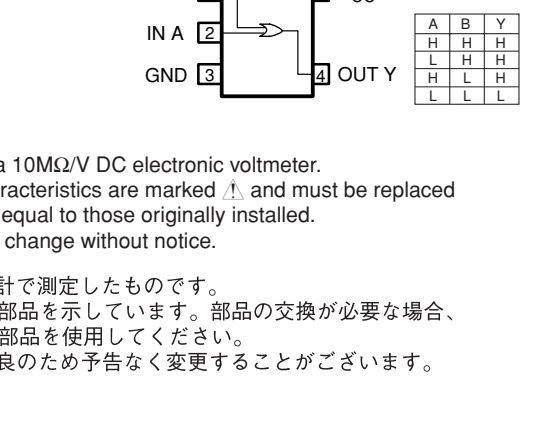
Pin No. Symbol Description table for IC191.



Pin No. Symbol Description table for IC192.

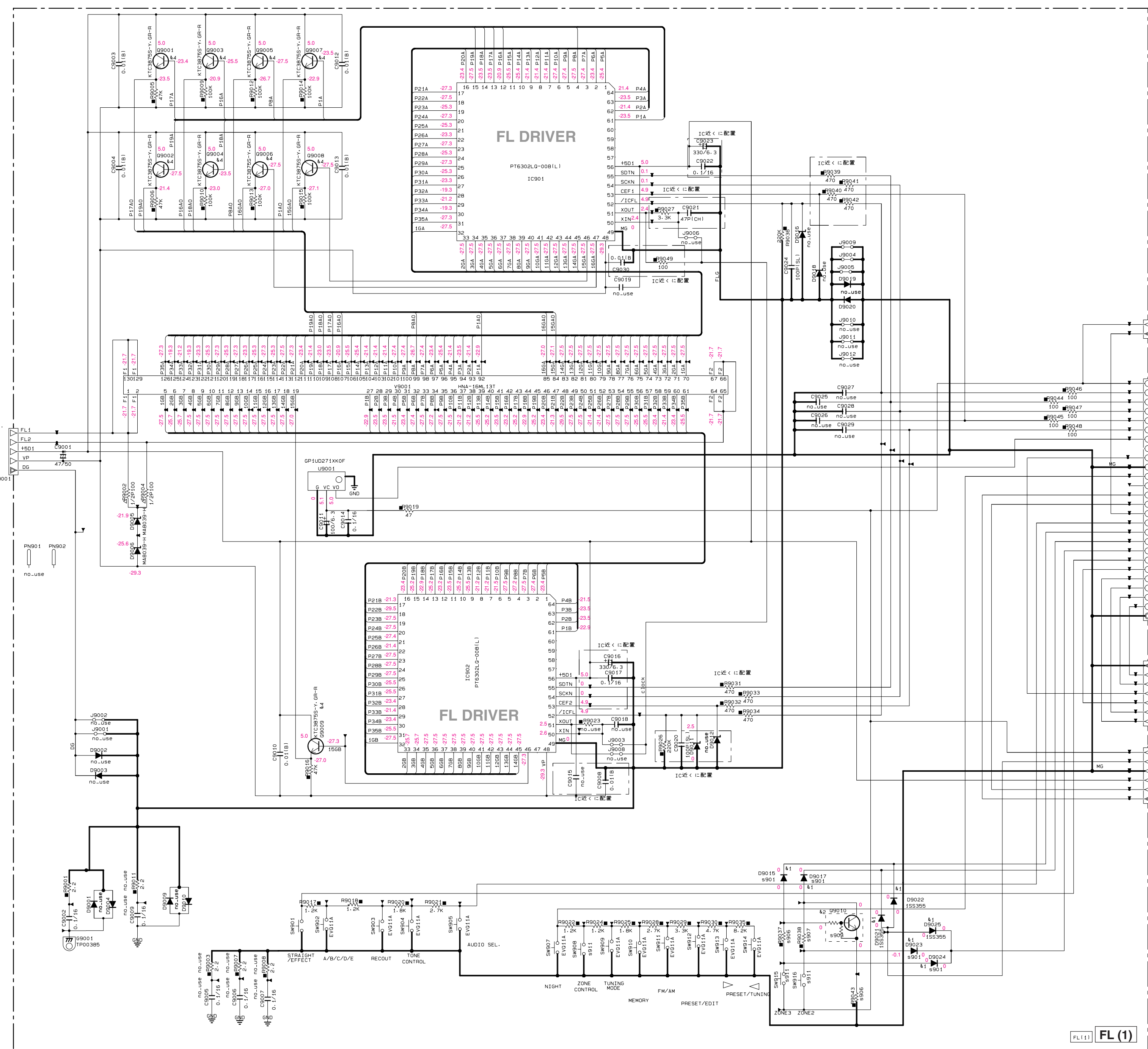


Pin No. Symbol Description table for IC193.



Pin No. Symbol Description table for IC195.

* All voltages are measured with a 10MΩ/V DC electronic voltmeter. * Components having special characteristics are marked with a triangle and must be replaced with parts having specifications equal to those originally installed. * Schematic diagram is subject to change without notice. * 電圧は10MΩ/Vの電圧計で測定したものです。 * 印のある部品は、安全確保部品を示しています。部品の交換が必要な場合、パーツリストに記載されている部品を使用してください。 * 本回路図は標準回路図です。改良のため予告なく変更することがございます。

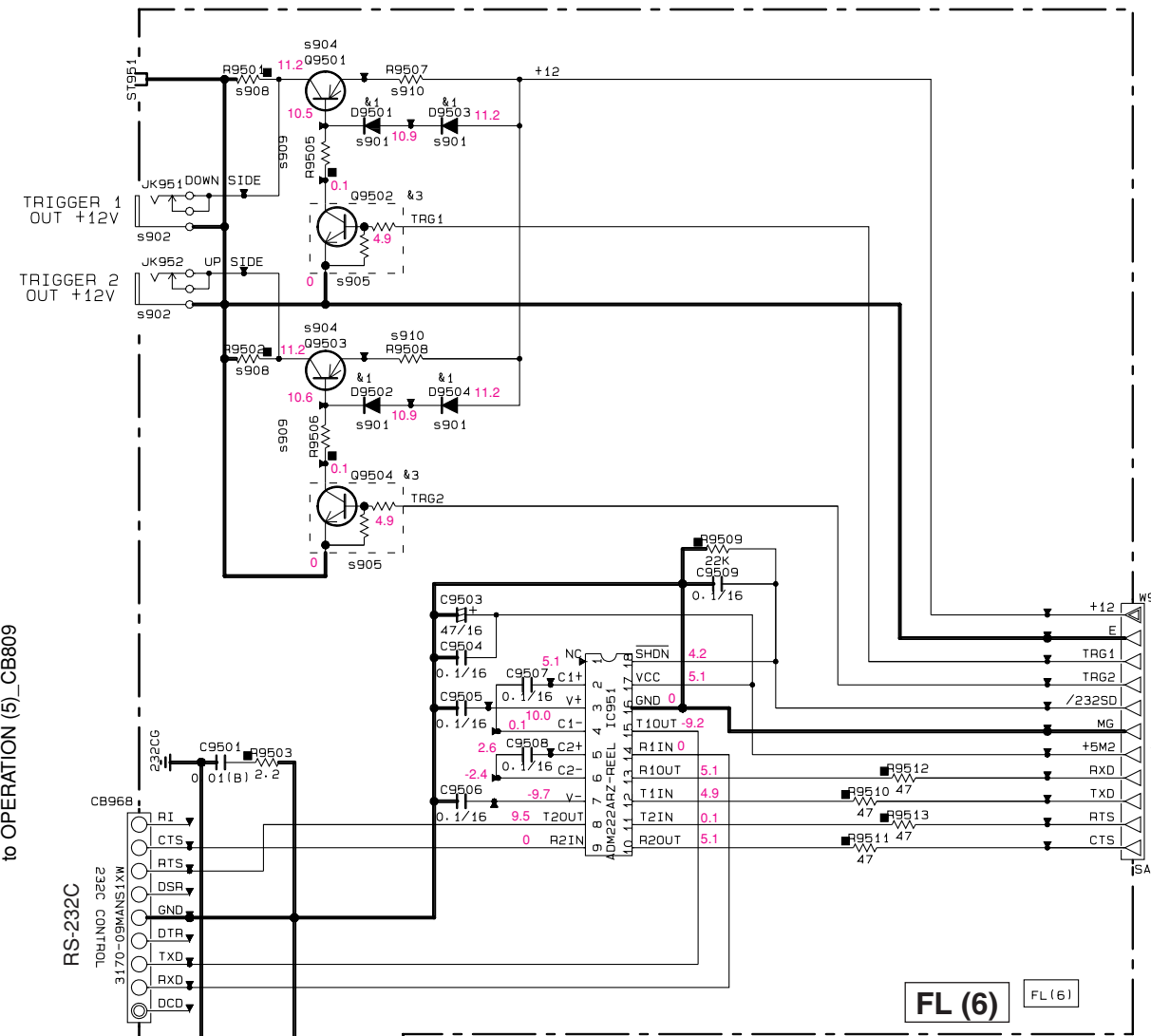


Page 130 [K4] to OPERATION (5)_CB809

Page 141 [K5] to FL (2)_CB970

Page 130 [K3] to OPERATION (4)_CB812

Page 130 [B2] to OPERATION (1)_CB801



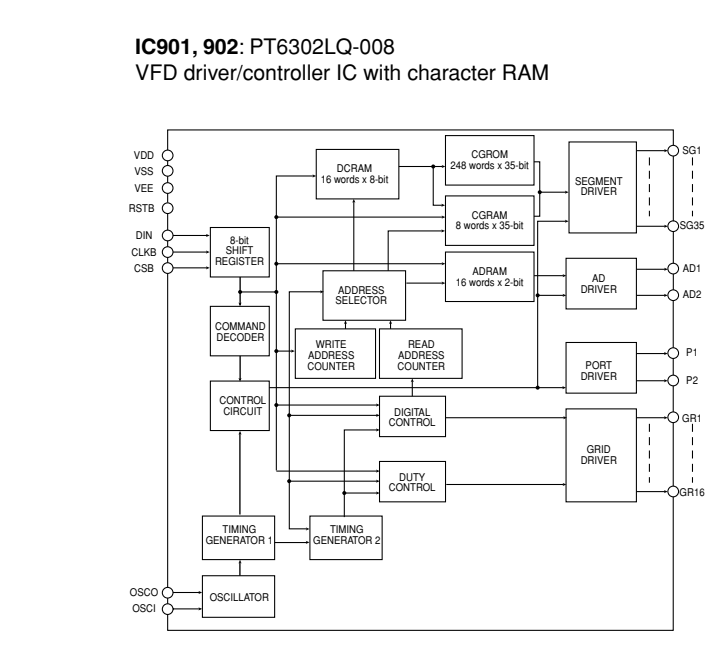
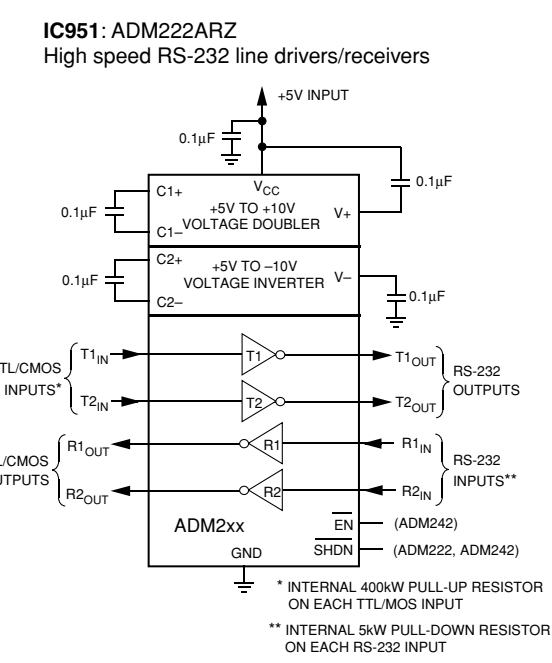
Page 126 [C9] to FUNCTION (1)_CB405

Destination	Part List	QTY	U.C. R.	U.C. L.	U.C. D.L.
9901	D9015	X			155355
	D9017				
	D9018				
	D9019				
	D9020				
9902	JK952	X	V843570		
	JK951		MS-325-124PC		
9903	D9010	X	VY65540		
	D9011		DTC114EKA		
9904	D9012	X	VW7390		
	D9013		A170815/11		
9905	D9014	X	VY65570		
	D9015		RD36510		
9906	D9016	X	RD36510		
	D9017		100		
9907	R9038	X	RD36510		
	R9039		1K		
9908	R9040	X	RD36510		
	R9041		100K		
9909	R9042	X	RD36510		
	R9043		10K		
9910	R9044	X	HF35427		
	R9045		V47010		
9911	SW916	X	V47010		
	SW915		EVG114		

Mark	Reference Parts Number	Parts Name
41	D9015-9017-9021-9025	155355
42	D9010	DTC114EKA MTC1025-RTK/P
43	D9502-9504	DTC114EKA MTC1025-RTK/P
44	D9001-9009	HTC38765-Y-GR-RTK/P 25C2412K (G/R/S)
45		

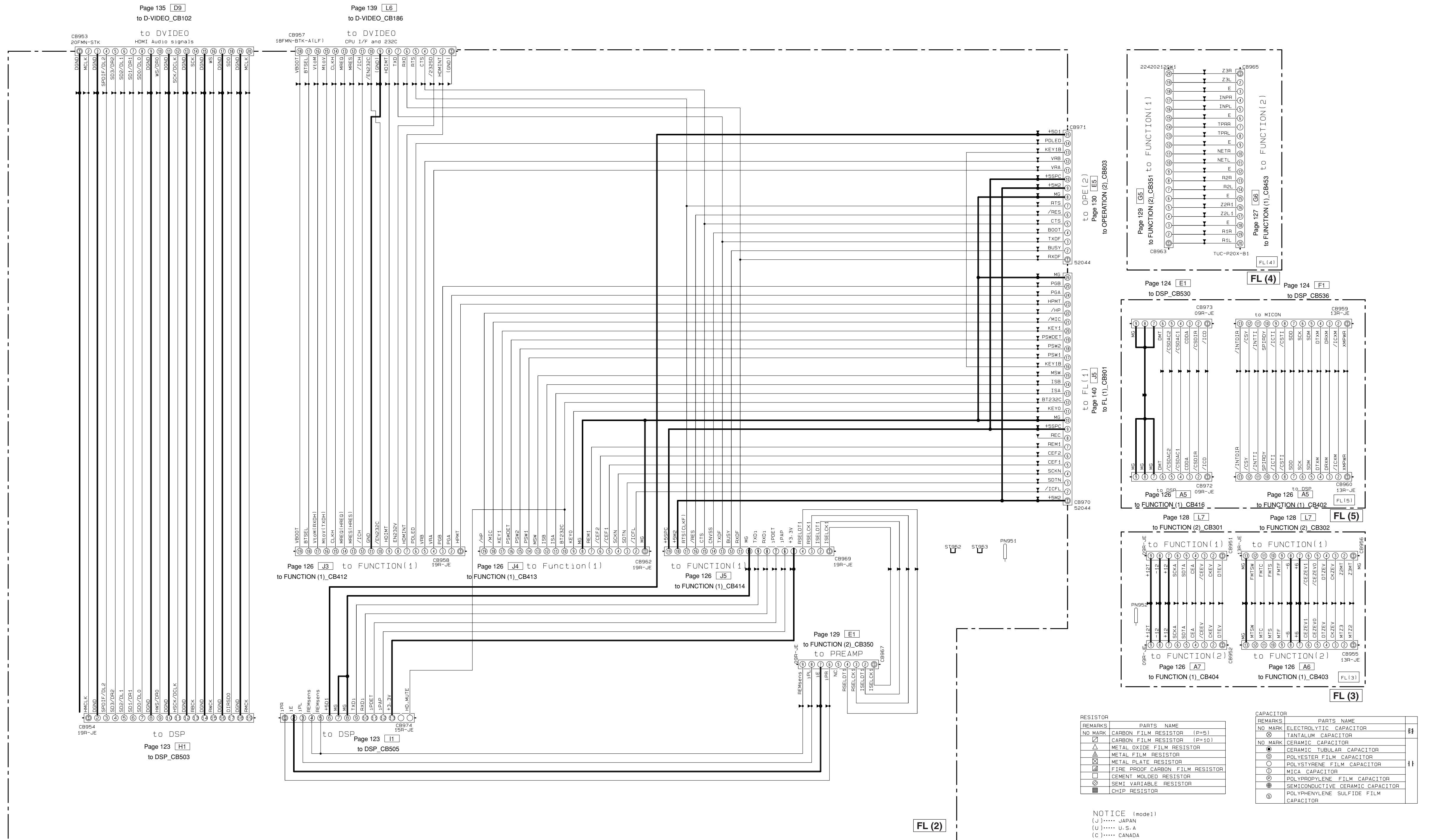
NOTICE (mode1)
 (J)..... JAPAN
 (U)..... U.S.A
 (C)..... CANADA
 (R)..... GENERAL
 (T)..... CHINA
 (K)..... KOREA
 (A)..... AUSTRALIA
 (B)..... BRITISH
 (G)..... EUROPE
 (L)..... SINGAPORE
 (E)..... SOUTH EUROPE
 (V)..... TAIWAN

REMARKS	PARTS NAME
NO MARK	ELECTROLYTIC CAPACITOR
⊗	TANTALUM CAPACITOR
NO MARK	CERAMIC CAPACITOR
⊙	CERAMIC TUBULAR CAPACITOR
⊕	POLYESTER FILM CAPACITOR
○	POLYSTYRENE FILM CAPACITOR
Ⓛ	MICA CAPACITOR
⊖	POLYPROPYLENE FILM CAPACITOR
⊗	SEMICONDUCTIVE CERAMIC CAPACITOR
⊕	POLYPHENYLENE SULFIDE FILM CAPACITOR



★ All voltages are measured with a 10MΩ/V DC electronic voltmeter.
 ★ Components having special characteristics are marked with a triangle and must be replaced with parts having specifications equal to those originally installed.
 ★ Schematic diagram is subject to change without notice.
 ● 電圧は、内部抵抗10MΩの電圧計で測定したものです。
 ● 印のある部品は、安全性確保部品を示しています。部品の交換が必要な場合、パーツリストに記載されている部品を使用してください。
 ● 本回路図は標準回路図です。改良のため予告なく変更することがございます。

FL 2/2



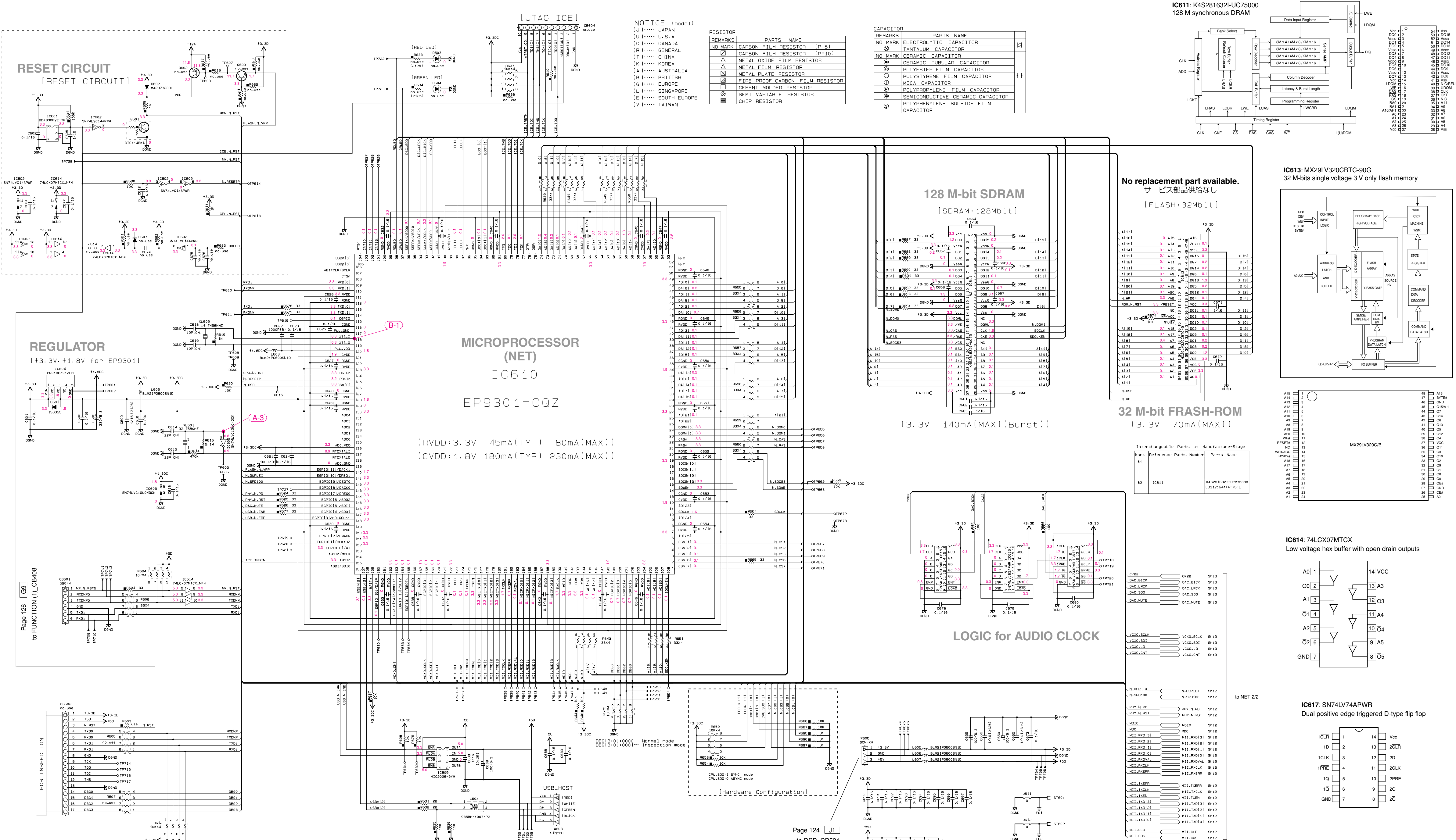
REMARKS	PARTS NAME
NO MARK	CARBON FILM RESISTOR (P=5)
□	CARBON FILM RESISTOR (P=10)
△	METAL OXIDE FILM RESISTOR
▲	METAL FILM RESISTOR
⊞	METAL PLATE RESISTOR
⊠	FIRE PROOF CARBON FILM RESISTOR
□	CEMENT MOLDED RESISTOR
⊞	SEMI VARIABLE RESISTOR
■	CHIP RESISTOR

REMARKS	PARTS NAME
NO MARK	ELECTROLYTIC CAPACITOR
⊞	TANTALUM CAPACITOR
○	CERAMIC CAPACITOR
⊙	CERAMIC TUBULAR CAPACITOR
⊚	POLYESTER FILM CAPACITOR
⊛	POLYSTYRENE FILM CAPACITOR
⊜	NIKA CAPACITOR
⊝	POLYPROPYLENE FILM CAPACITOR
⊞	SEMICONDUCTIVE CERAMIC CAPACITOR
⊚	POLYPHENYLENE SULFIDE FILM CAPACITOR

NOTICE [mode1]
 (J)..... JAPAN
 (U)..... U. S. A
 (C)..... CANADA
 (R)..... GENERAL
 (T)..... CHINA
 (K)..... KOREA
 (A)..... AUSTRALIA
 (B)..... BRITISH
 (G)..... EUROPE
 (L)..... SINGAPORE
 (E)..... SOUTH EUROPE
 (V)..... TAIWAN

- * All voltages are measured with a 10MΩ/V DC electronic voltmeter.
- * Components having special characteristics are marked Δ , and must be replaced with parts having specifications equal to those originally installed.
- * Schematic diagram is subject to change without notice.
- 電圧は、内部抵抗10MΩの電圧計で測定したものです。
- Δ 印のある部品は、安全性確保部品を示しています。部品の交換が必要な場合、パーツリストに記載されている部品を使用してください。
- 本回路図は標準回路図です。改良のため予告なく変更することがございます。

NET 1/2



NOTICE (mode1)

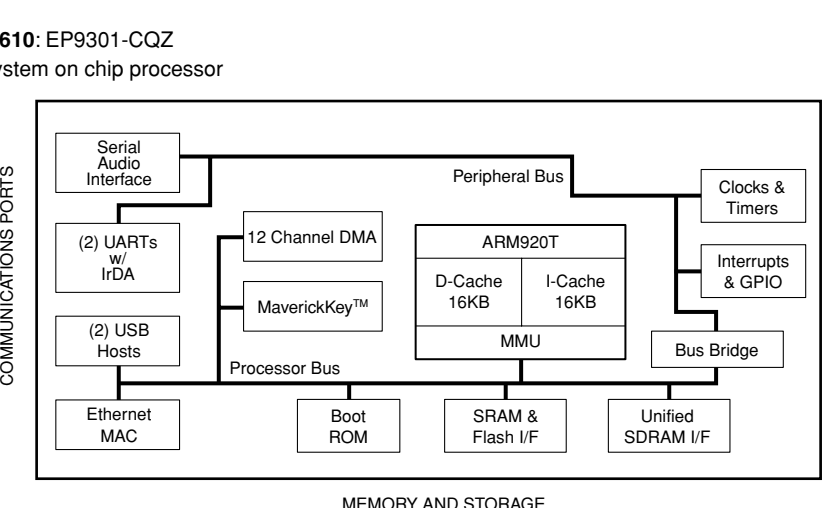
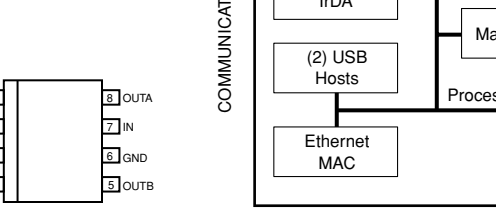
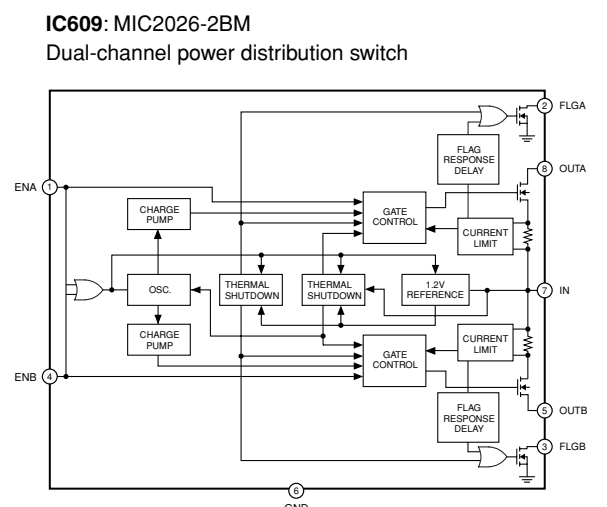
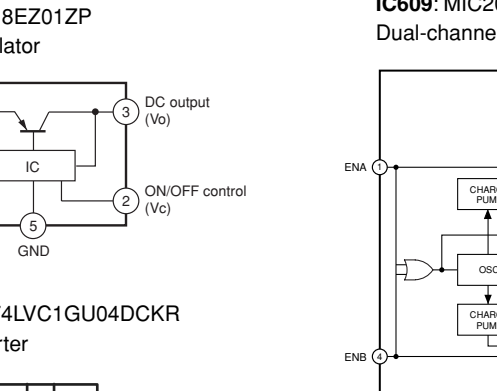
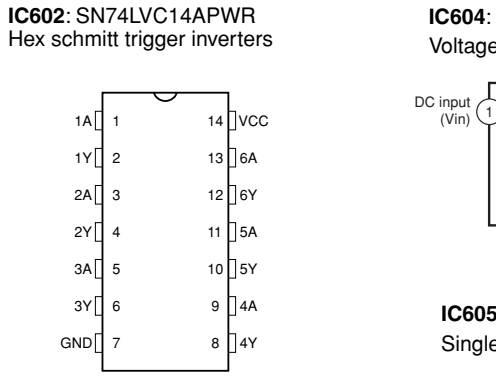
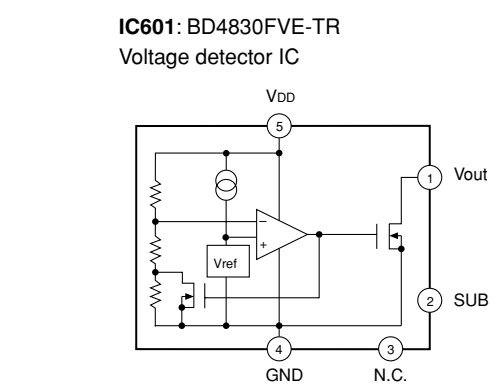
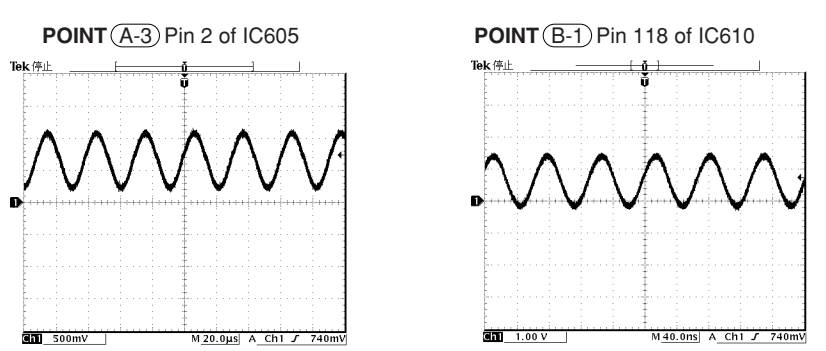
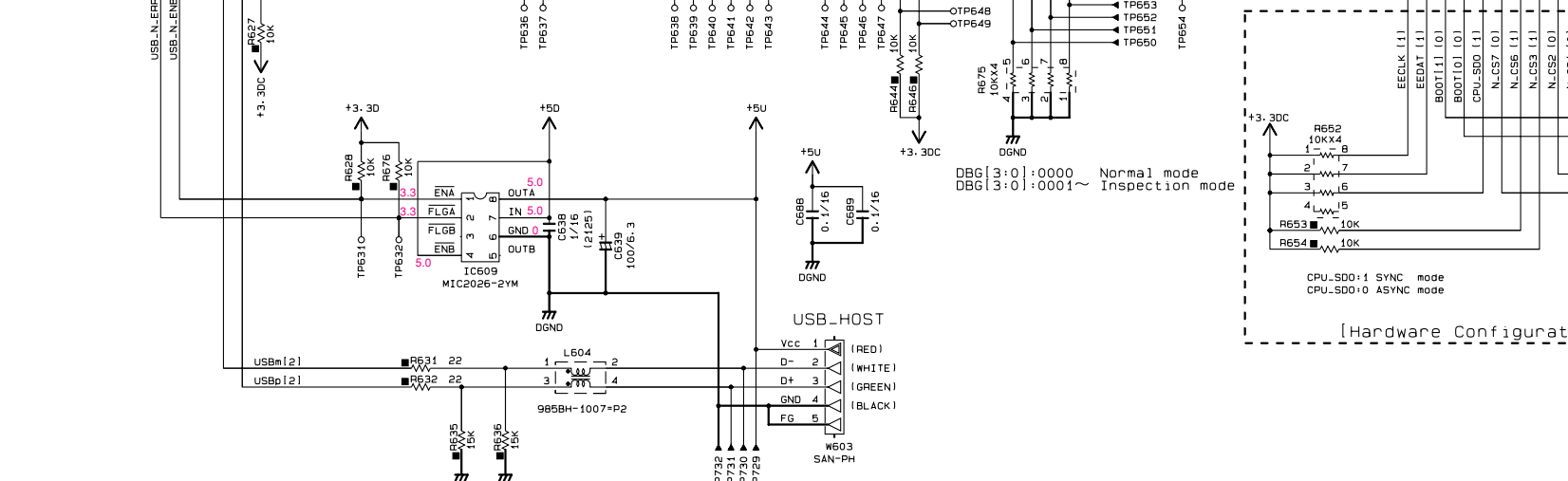
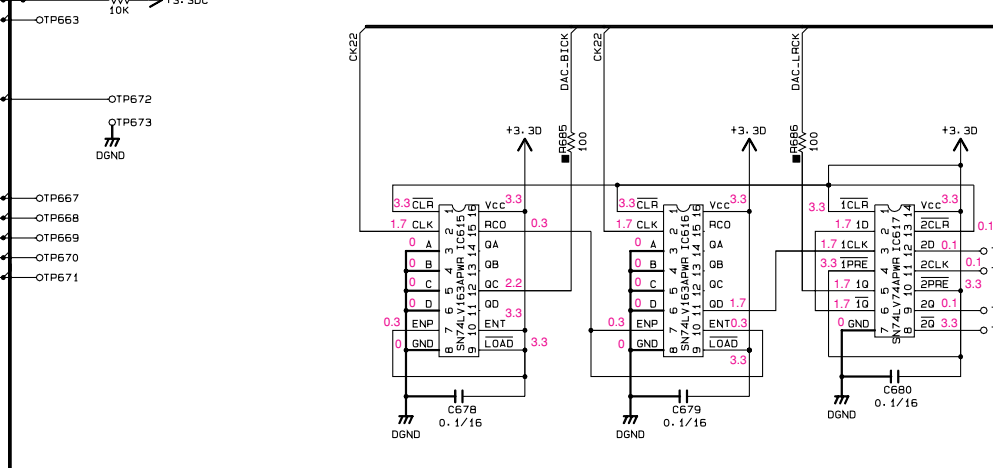
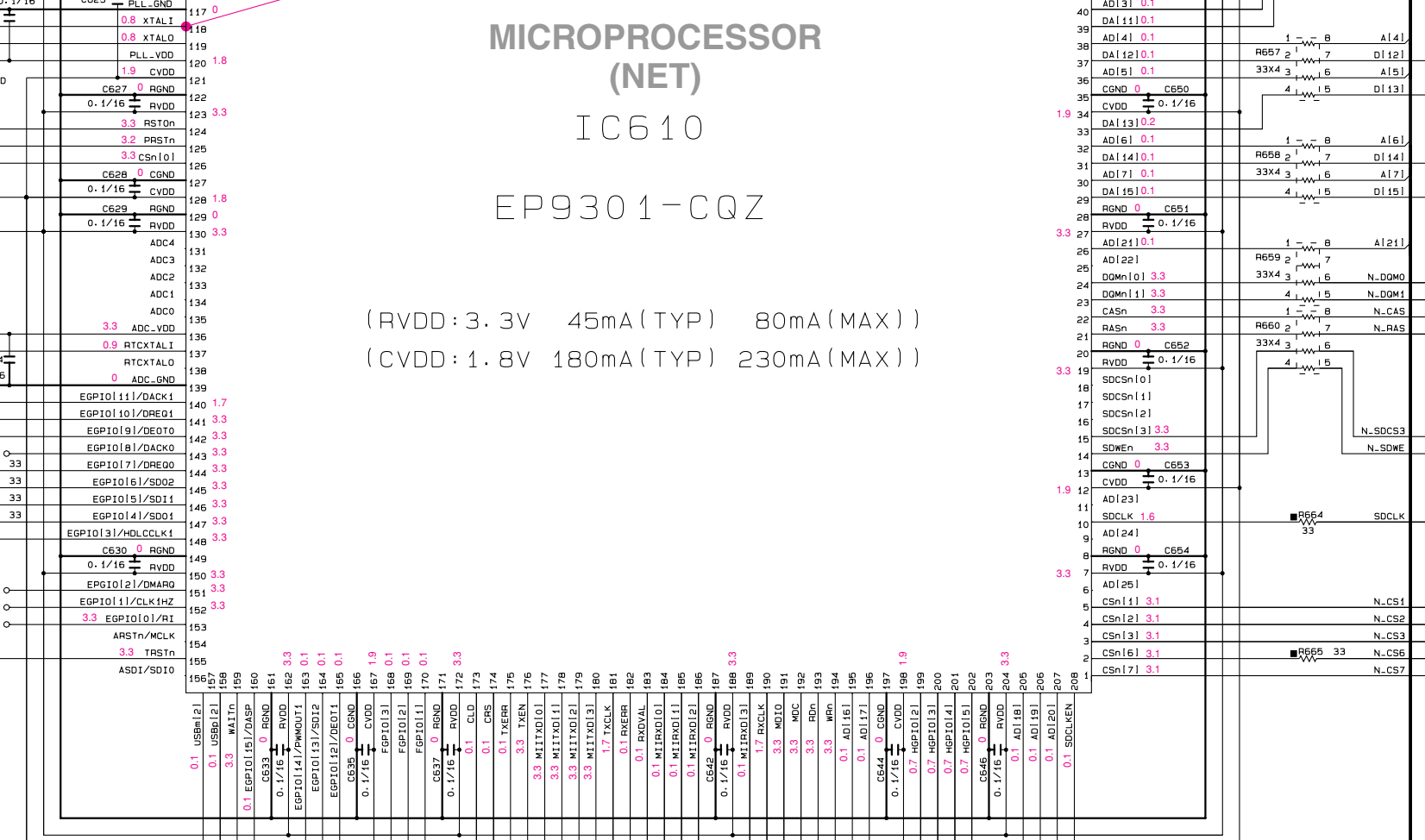
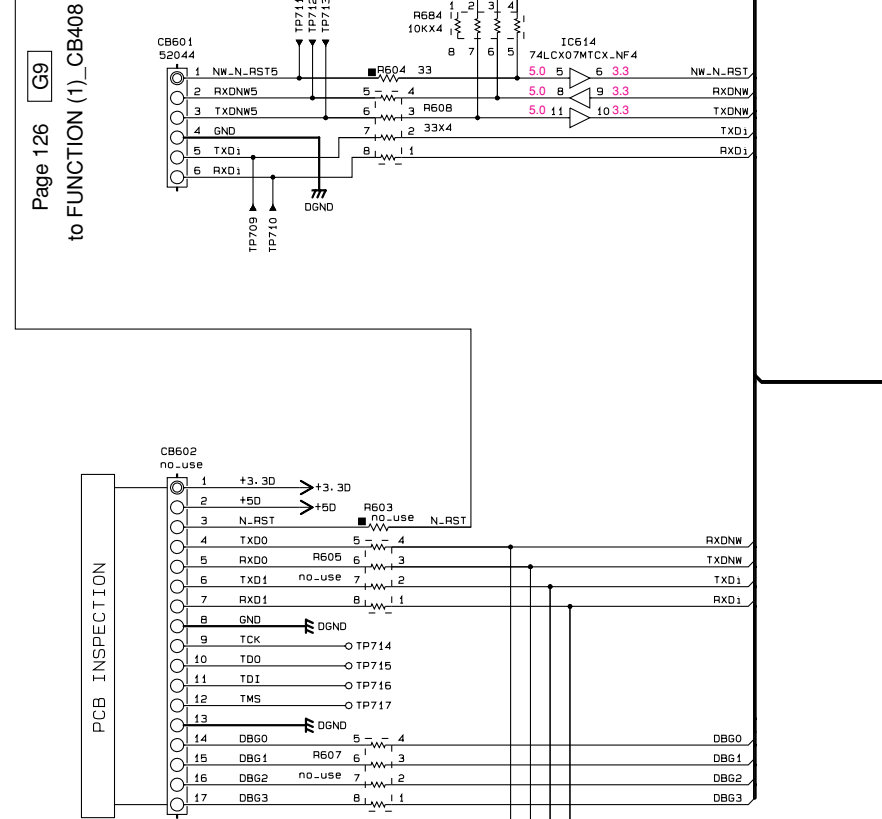
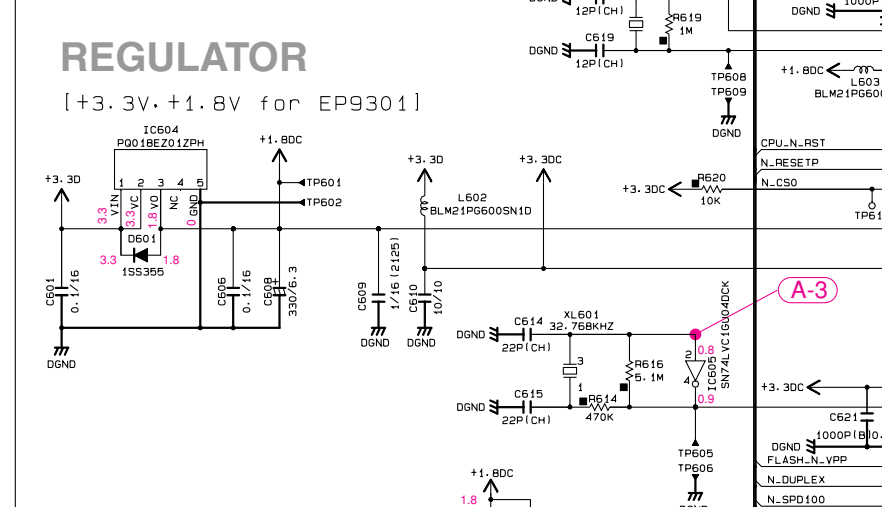
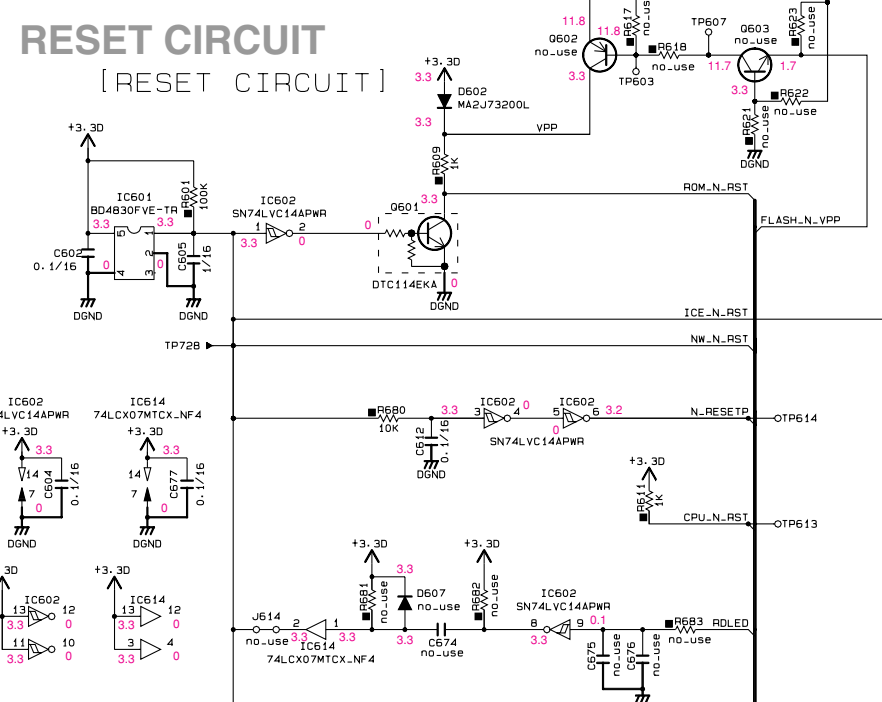
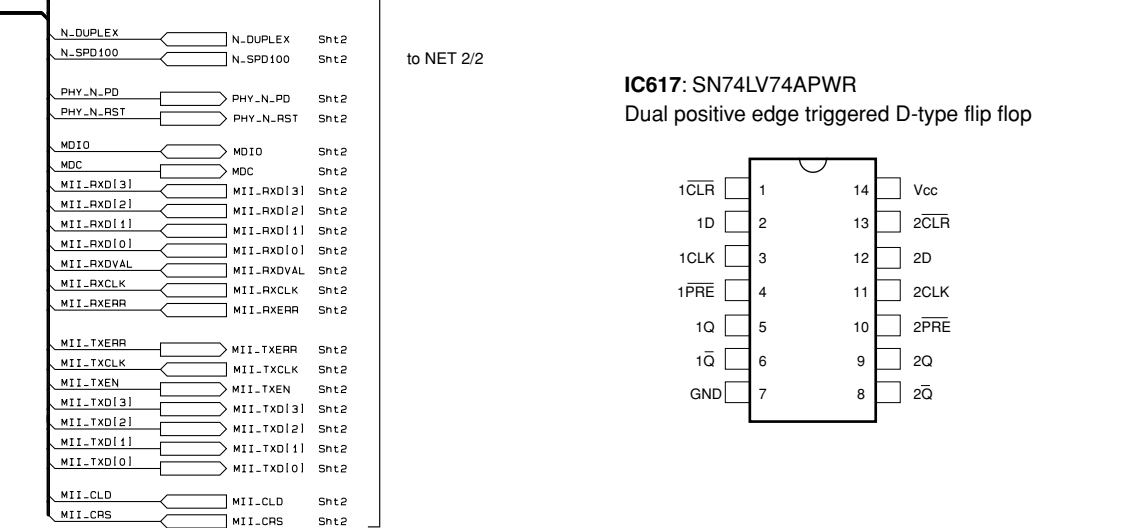
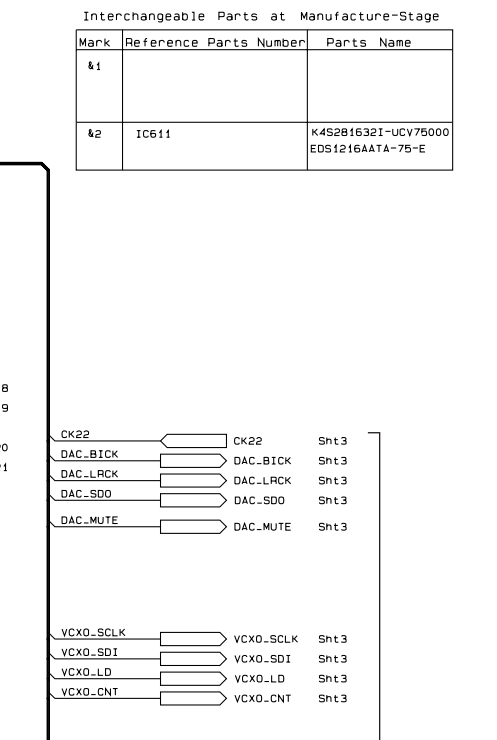
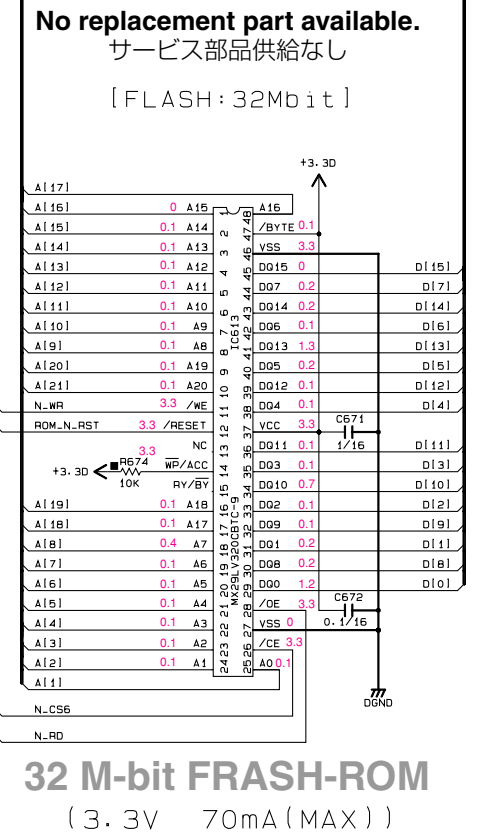
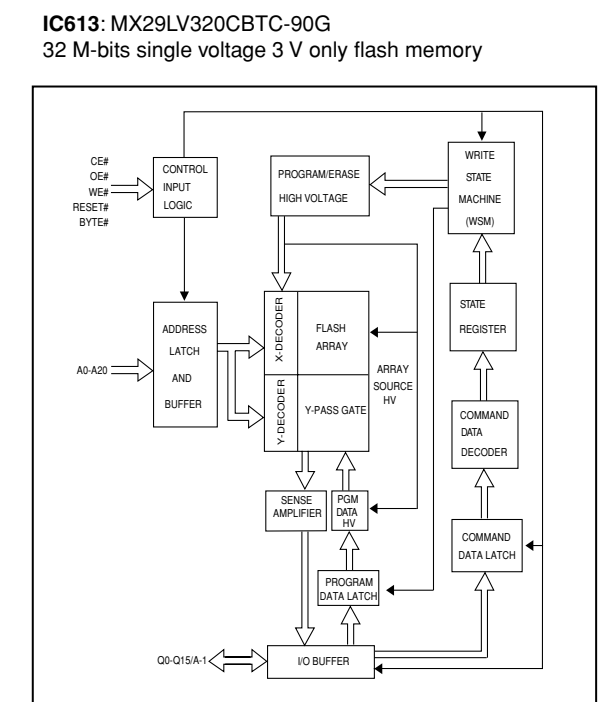
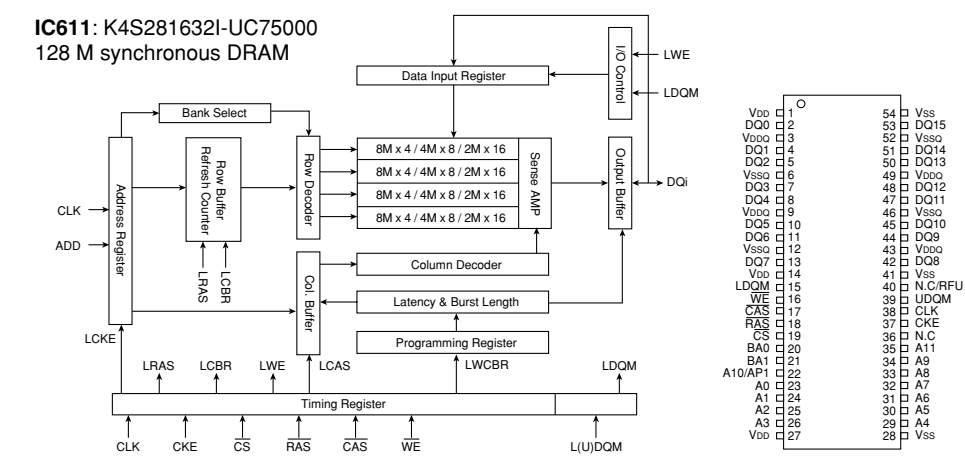
(J)..... JAPAN
 (U)..... U.S.A
 (C)..... CANADA
 (R)..... GENERAL
 (T)..... CHINA
 (K)..... KOREA
 (A)..... AUSTRALIA
 (B)..... BRITISH
 (G)..... EUROPE
 (S)..... SINGAPORE
 (E)..... SOUTH EUROPE
 (V)..... TAIWAN

RESISTOR

REMARKS	PARTS NAME
NO MARK	CARBON FILM RESISTOR (D=5)
NO MARK	CARBON FILM RESISTOR (D=10)
△	CERAMIC TUBULAR CAPACITOR
□	METAL FILM RESISTOR
◇	METAL PLATE RESISTOR
○	FIRE PROOF CARBON FILM RESISTOR
◎	CEMENT MOLDED RESISTOR
⊕	SEMI VARIABLE RESISTOR
⊖	CHIP RESISTOR

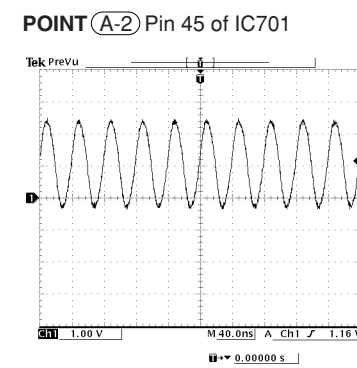
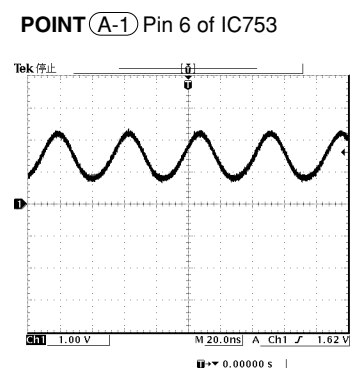
CAPACITOR

REMARKS	PARTS NAME
NO MARK	ELECTROLYTIC CAPACITOR
NO MARK	TANTALUM CAPACITOR
○	CERAMIC CAPACITOR
□	CERAMIC TUBULAR CAPACITOR
◇	POLYESTER FILM CAPACITOR
◎	POLYSTYRENE FILM CAPACITOR
⊕	MICA CAPACITOR
⊖	POLYPHENYLENE FILM CAPACITOR
⊙	SEMICONDUCTIVE CERAMIC CAPACITOR
⊚	POLYPHENYLENE SULFIDE FILM CAPACITOR



- ★ All voltages are measured with a 10MΩ/V DC electronic voltmeter.
- ★ Components having special characteristics are marked with a triangle and must be replaced with parts having specifications equal to those originally installed.
- ★ Schematic diagram is subject to change without notice.
- 電圧は、内部抵抗10MΩの電圧計で測定したものです。
- 三角形印のある部品は、安全確保部品を示しています。部品の交換が必要な場合、パーツリストに記載されている部品を使用してください。
- 本回路図は標準回路図です。改良のため予告なく変更することがございます。

NET 2/2

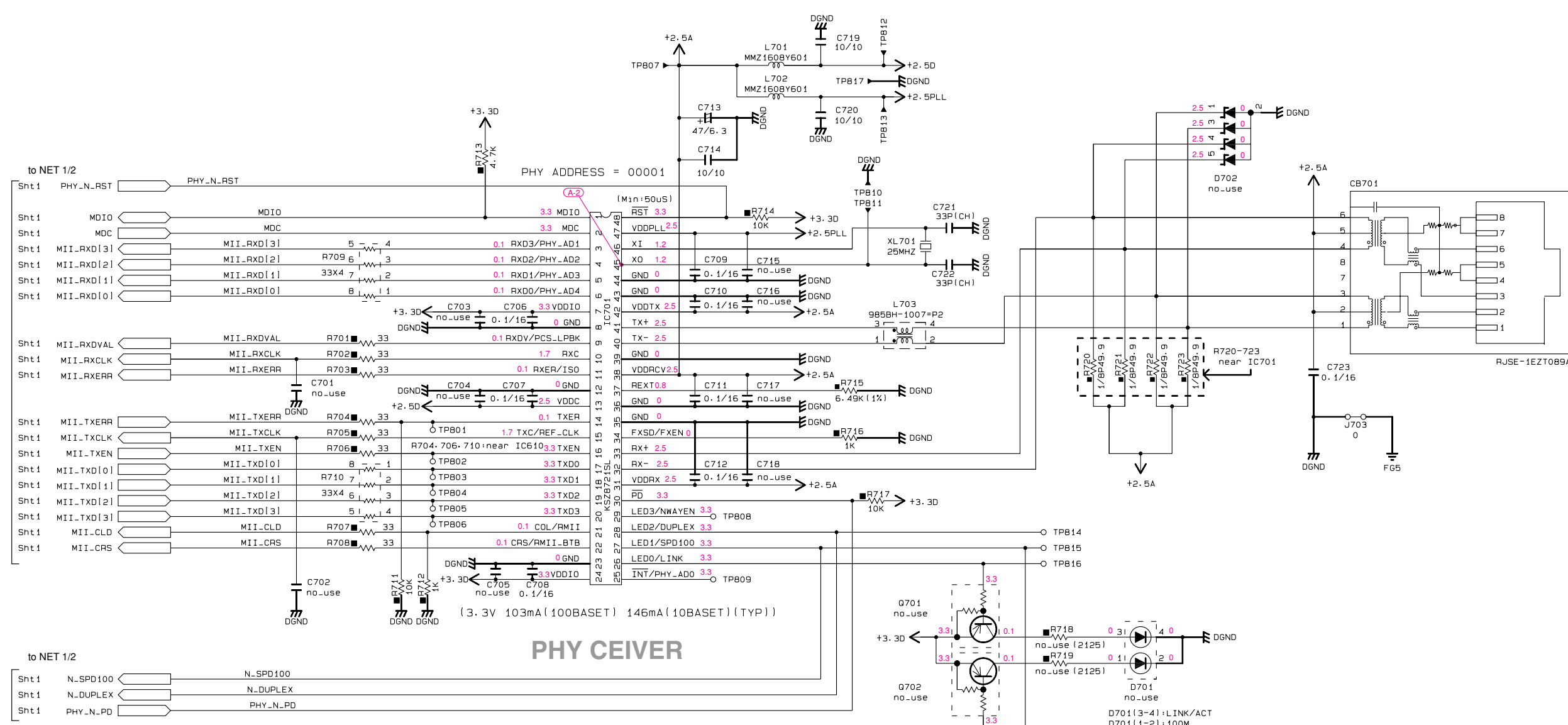


NOTICE (mode1)
(J)..... JAPAN
(U)..... U.S.A
(C)..... CANADA
(R)..... GENERAL
(T)..... CHINA
(K)..... KOREA
(A)..... AUSTRALIA
(B)..... BRITISH
(G)..... EUROPE
(L)..... SINGAPORE
(E)..... SOUTH EUROPE
(V)..... TAIWAN

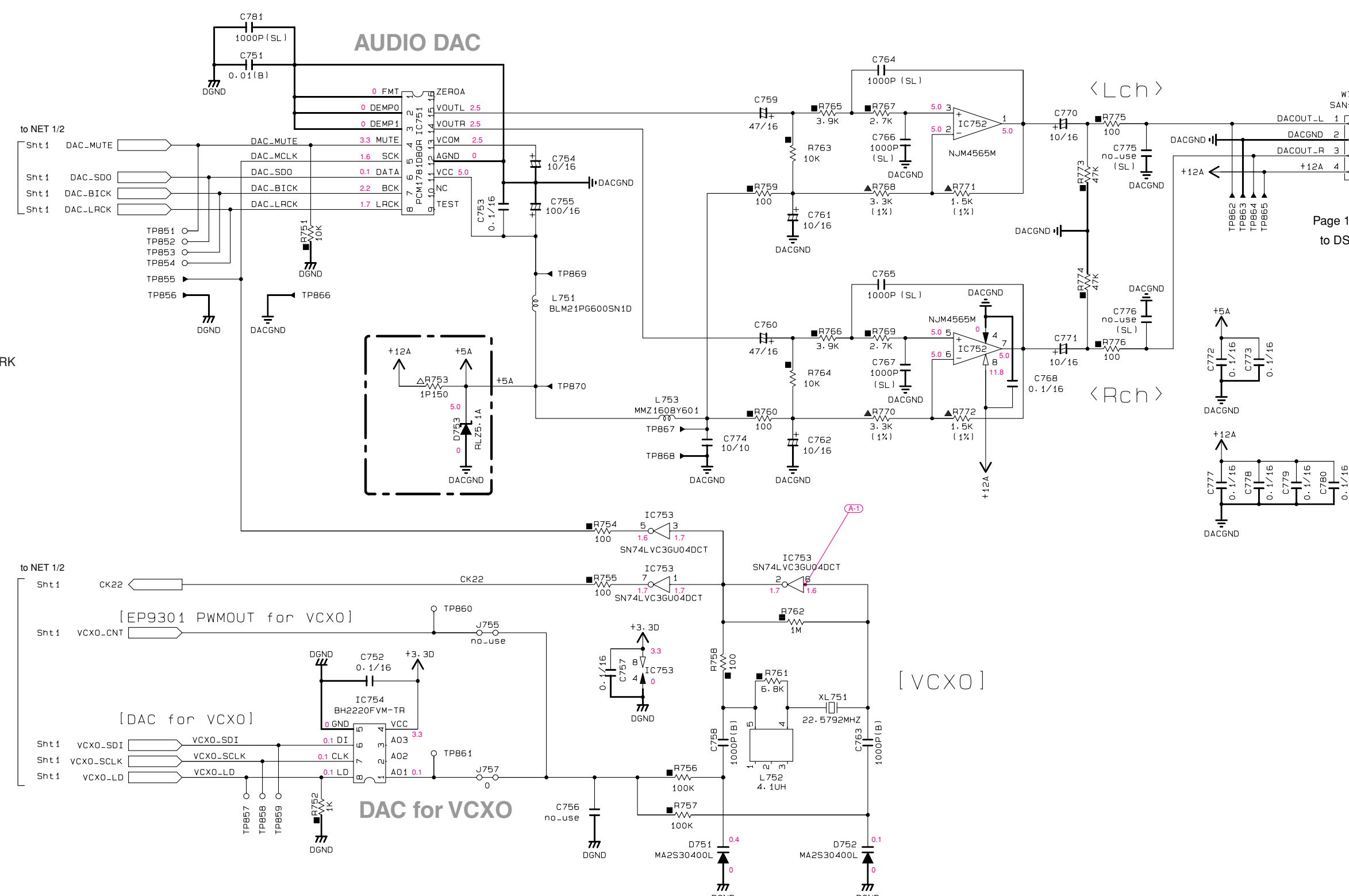
Table with 2 columns: REMARKS, PARTS NAME. Lists various resistor types like CARBON FILM RESISTOR, METAL OXIDE FILM RESISTOR, etc.

Table with 2 columns: REMARKS, PARTS NAME. Lists various capacitor types like ELECTROLYTIC CAPACITOR, TANTALUM CAPACITOR, etc.

[PHYceiver Circuit]

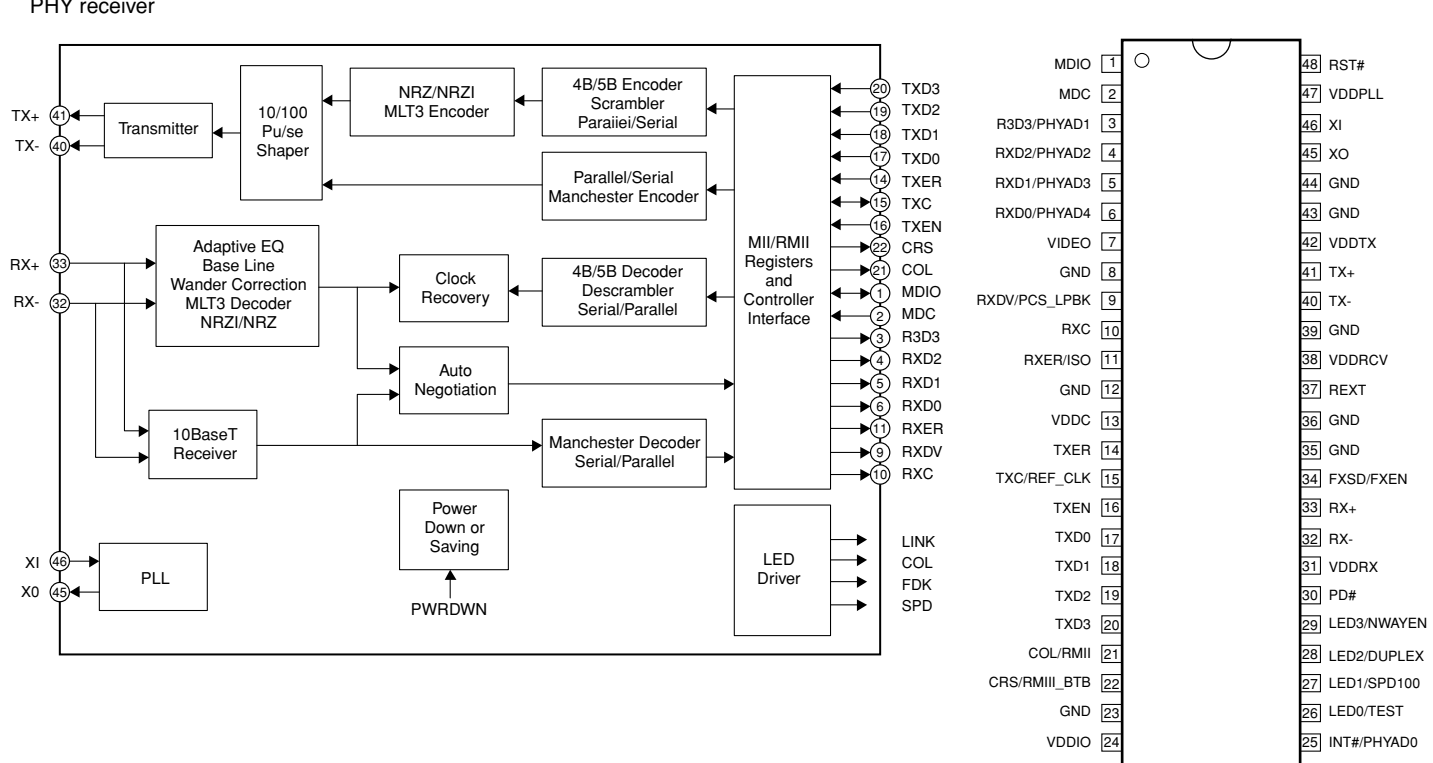


NETWORK (LAN)

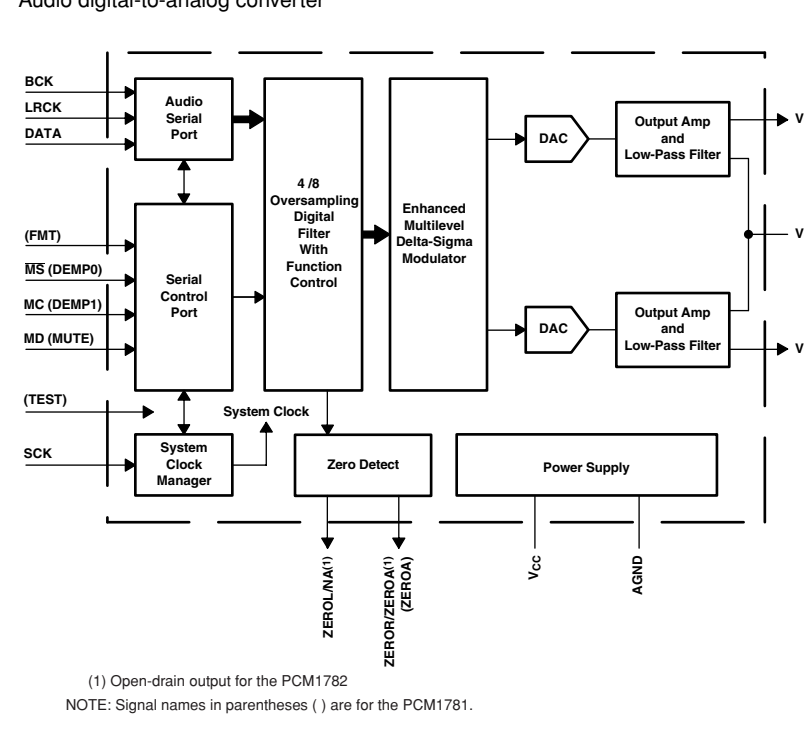


Page 125 to DSP_CB562

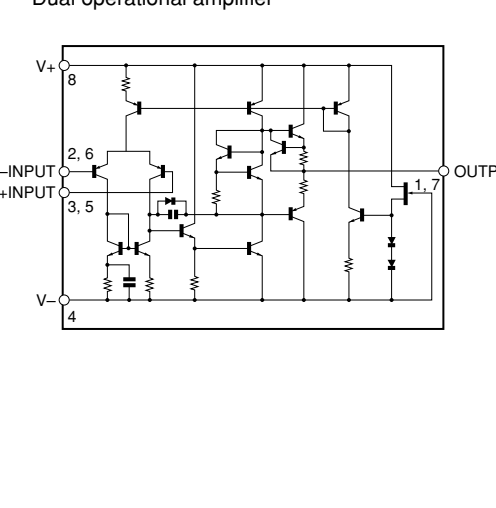
IC701: KSZ8721SL



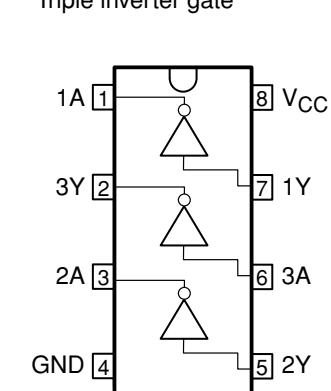
IC751: PCM1781DBOR



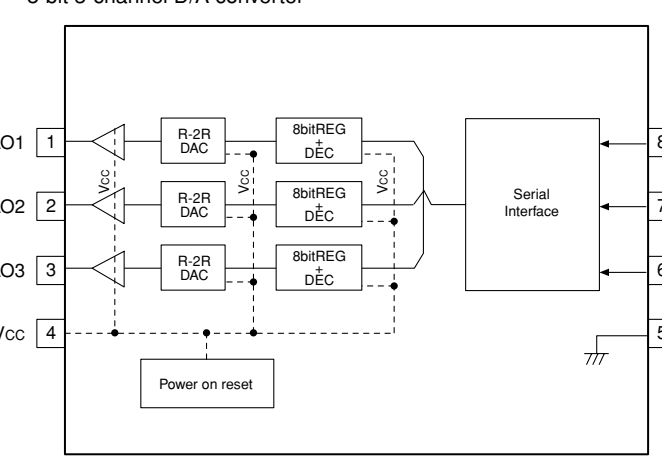
IC751: NJM4565M



IC753: SN74LVCG04DCTR



IC754: BH2220FVM-TR



All voltages are measured with a 10MΩ/V DC electronic voltmeter. Components having special characteristics are marked with a triangle and must be replaced with parts having specifications equal to those originally installed.